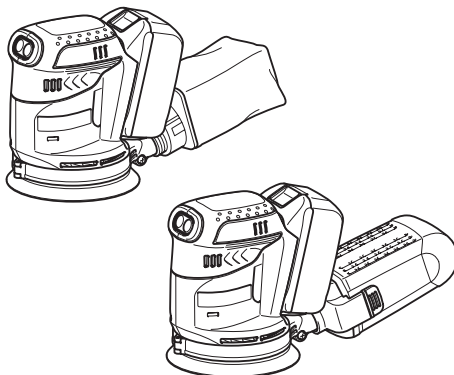




EN	Cordless Random Orbit Sander	INSTRUCTION MANUAL	5
SV	Batteridreven excenterslipmaskin	BRUKSANVISNING	10
NO	Batteridrevet slipemaskin med variable omdreininger	BRUKSANVISNING	15
FI	Akkukäyttöinen epäkeskokoioimakone	KÄYTTÖOHJE	20
LV	Bezvadu ekscentra slīpmašīna	LIETOŠANAS INSTRUKCIJA	25
LT	Akumuliatorinis becentris orbitinis šlifukoelis	NAUDOJIMO INSTRUKCIJA	30
ET	Akutoitel ekstsentrīkīhvija	KASUTUSJUHEND	35
RU	Аккумуляторная Эксцентрикoвая Шлифовальная Машина	РУКОВОДСТВО ПО ЭКСПЛУАТАЦИИ	40

DBO140
DBO180



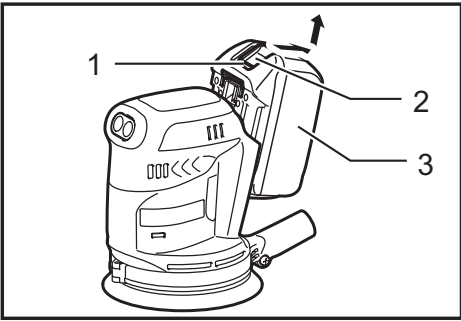


Fig.1

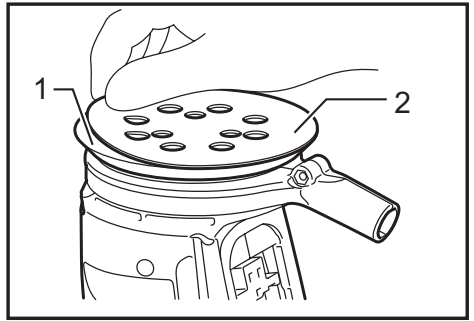


Fig.5

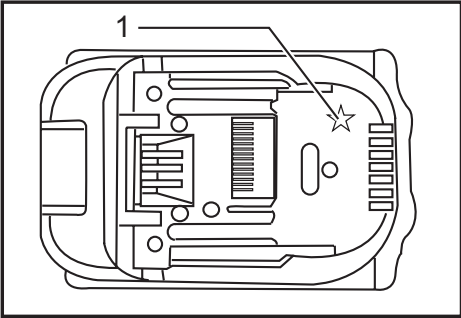


Fig.2

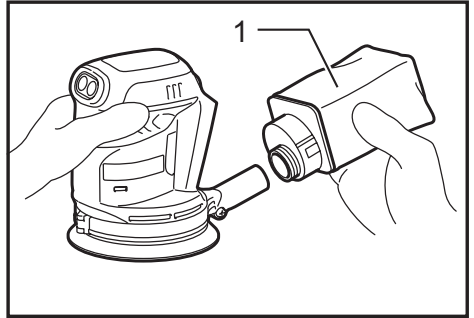


Fig.6

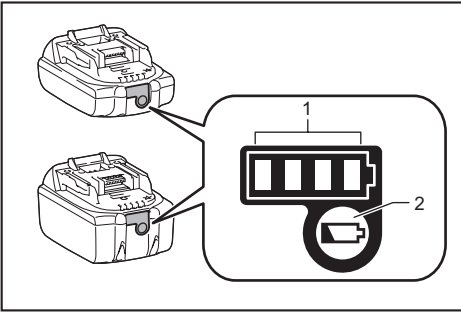


Fig.3

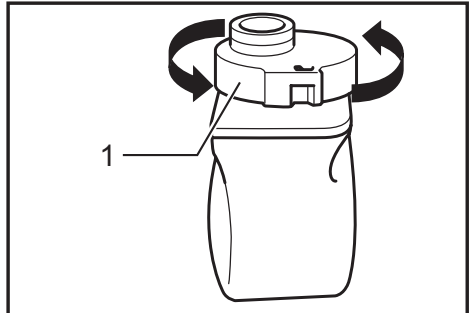


Fig.7

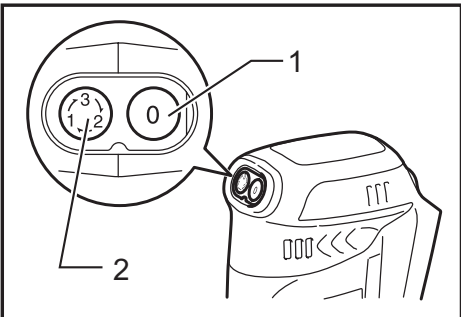


Fig.4

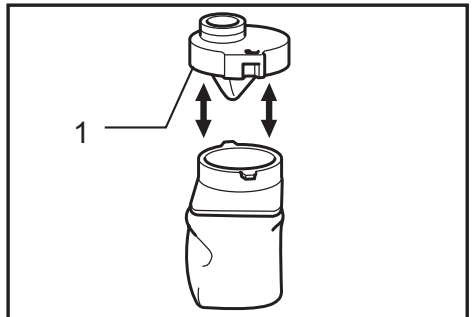


Fig.8

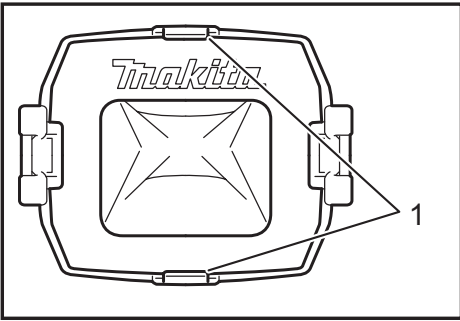


Fig.9

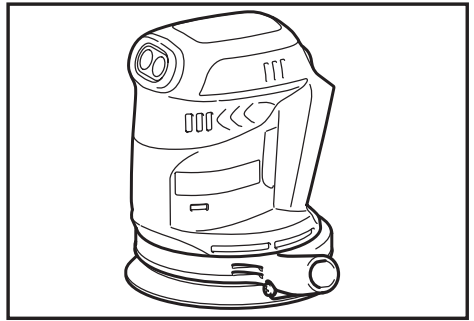


Fig.13

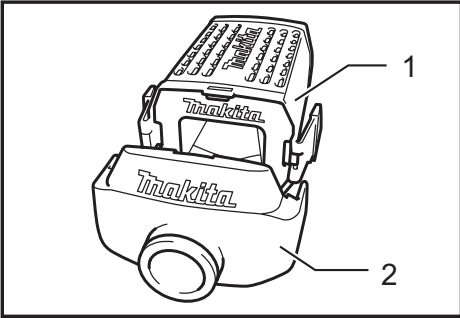


Fig.10

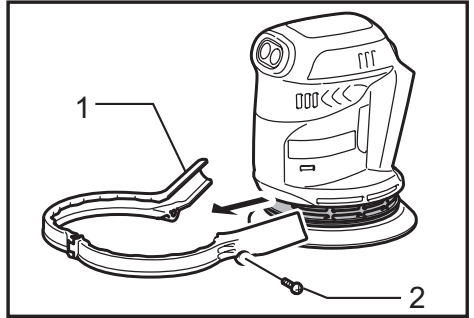


Fig.14

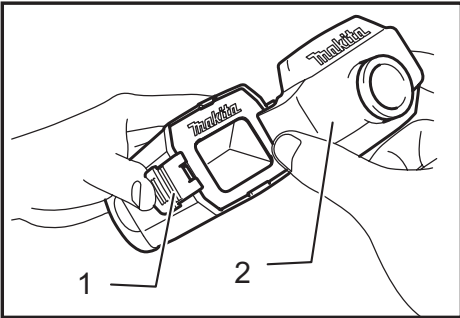


Fig.11

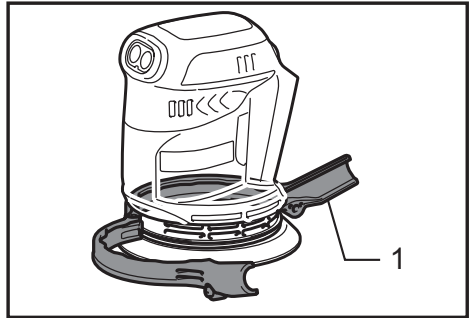


Fig.15

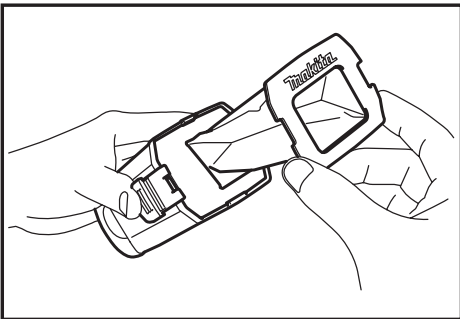


Fig.12

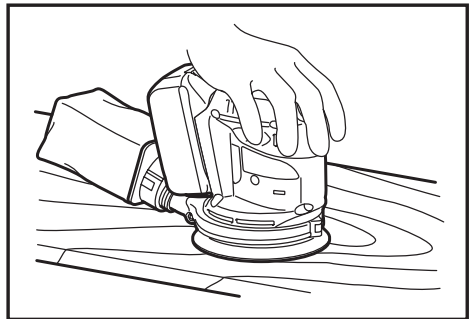


Fig.16

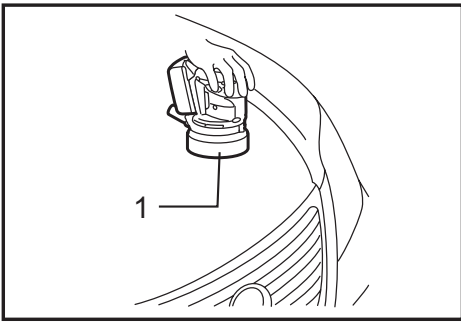


Fig.17

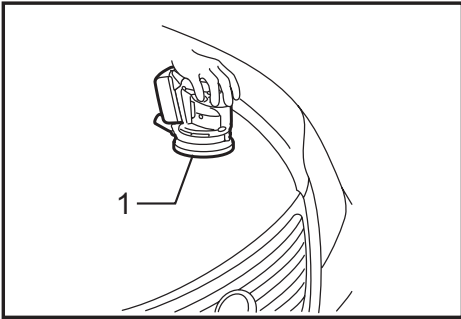


Fig.18

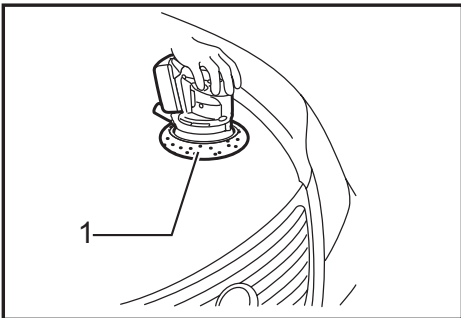


Fig.19

SPECIFICATIONS

Model		DBO140	DBO180
Paper size		125 mm	
Orbits per minute(min ⁻¹)	Low speed	7,000	
	Middle speed	9,500	
	High speed	11,000	
Dimensions		175 mm x 123 mm x 153 mm	
Net weight		1.3 - 1.6 kg	1.4 - 1.7 kg
Rated voltage		D.C. 14.4V	D.C. 18V

- Due to our continuing program of research and development, the specifications herein are subject to change without notice.
- Specifications may differ from country to country.
- The weight may differ depending on the attachment(s), including the battery cartridge. The lightest and heaviest combination, according to EPTA-Procedure 01/2014, are shown in the table.

Applicable battery cartridge and charger

Battery cartridge	D.C.14.4 V Model	BL1415N / BL1430 / BL1430B / BL1440 / BL1450 / BL1460B
	D.C.18 V Model	BL1815N / BL1820 / BL1820B / BL1830 / BL1830B / BL1840 / BL1840B / BL1850 / BL1850B / BL1860B
Charger	DC18RC / DC18RD / DC18RE / DC18SD / DC18SE / DC18SF	

- Some of the battery cartridges and chargers listed above may not be available depending on your region of residence.

⚠WARNING: Only use the battery cartridges and chargers listed above. Use of any other battery cartridges and chargers may cause injury and/or fire.

Intended use

The tool is intended for the sanding of large surface of wood, plastic and metal materials as well as painted surfaces.

Noise

The typical A-weighted noise level determined according to EN62841:

Model DBO140

Sound pressure level (L_{pA}) : 78 dB (A)

Uncertainty (K) : 3 dB (A)

The noise level under working may exceed 80 dB (A).

Model DBO180

Sound pressure level (L_{pA}) : 77 dB (A)

Uncertainty (K) : 3 dB (A)

The noise level under working may exceed 80 dB (A).

Wear ear protection

Vibration

The vibration total value (tri-axial vector sum) determined according to EN62841:

Model DBO140

Work mode : sanding metal plate

Vibration emission (a_h) : 2.5 m/s² or less

Uncertainty (K) : 1.5 m/s²

Model DBO180

Work mode : sanding metal plate

Vibration emission (a_h) : 2.5 m/s² or less

Uncertainty (K) : 1.5 m/s²

NOTE: The declared vibration emission value has been measured in accordance with the standard test method and may be used for comparing one tool with another.

NOTE: The declared vibration emission value may also be used in a preliminary assessment of exposure.

⚠WARNING: The vibration emission during actual use of the power tool can differ from the declared emission value depending on the ways in which the tool is used.

⚠WARNING: Be sure to identify safety measures to protect the operator that are based on an estimation of exposure in the actual conditions of use (taking account of all parts of the operating cycle such as the times when the tool is switched off and when it is running idle in addition to the trigger time).

EC Declaration of Conformity

For European countries only

The EC declaration of conformity is included as Annex A to this instruction manual.

General power tool safety warnings

⚠️WARNING: Read all safety warnings, instructions, illustrations and specifications provided with this power tool. Failure to follow all instructions listed below may result in electric shock, fire and/or serious injury.

Save all warnings and instructions for future reference.

The term "power tool" in the warnings refers to your mains-operated (corded) power tool or battery-operated (cordless) power tool.

SANDER SAFETY WARNINGS

1. Always use safety glasses or goggles. Ordinary eye or sun glasses are NOT safety glasses.
2. Hold the tool firmly.
3. Do not leave the tool running. Operate the tool only when hand-held.
4. This tool has not been waterproofed, so do not use water on the workpiece surface.
5. Ventilate your work area adequately when you perform sanding operations.
6. Some material contains chemicals which may be toxic. Take caution to prevent dust inhalation and skin contact. Follow material supplier safety data.
7. Use of this tool to sand some products, paints and wood could expose user to dust containing hazardous substances. Use appropriate respiratory protection.
8. Be sure that there are no cracks or breakage on the pad before use. Cracks or breakage may cause a personal injury.

SAVE THESE INSTRUCTIONS.

⚠️WARNING: DO NOT let comfort or familiarity with product (gained from repeated use) replace strict adherence to safety rules for the subject product. MISUSE or failure to follow the safety rules stated in this instruction manual may cause serious personal injury.

Important safety instructions for battery cartridge

1. Before using battery cartridge, read all instructions and cautionary markings on (1) battery charger, (2) battery, and (3) product using battery.
2. Do not disassemble battery cartridge.
3. If operating time has become excessively shorter, stop operating immediately. It may result in a risk of overheating, possible burns and even an explosion.
4. If electrolyte gets into your eyes, rinse them out with clear water and seek medical attention right away. It may result in loss of your eyesight.

5. Do not short the battery cartridge:
 - (1) Do not touch the terminals with any conductive material.
 - (2) Avoid storing battery cartridge in a container with other metal objects such as nails, coins, etc.
 - (3) Do not expose battery cartridge to water or rain.

A battery short can cause a large current flow, overheating, possible burns and even a breakdown.
6. Do not store the tool and battery cartridge in locations where the temperature may reach or exceed 50 °C (122 °F).
7. Do not incinerate the battery cartridge even if it is severely damaged or is completely worn out. The battery cartridge can explode in a fire.
8. Be careful not to drop or strike battery.
9. Do not use a damaged battery.
10. The contained lithium-ion batteries are subject to the Dangerous Goods Legislation requirements.

For commercial transports e.g. by third parties, forwarding agents, special requirement on packaging and labeling must be observed. For preparation of the item being shipped, consulting an expert for hazardous material is required. Please also observe possibly more detailed national regulations.

Tape or mask off open contacts and pack up the battery in such a manner that it cannot move around in the packaging.

11. Follow your local regulations relating to disposal of battery.
12. Use the batteries only with the products specified by Makita. Installing the batteries to non-compliant products may result in a fire, excessive heat, explosion, or leak of electrolyte.

SAVE THESE INSTRUCTIONS.

⚠️CAUTION: Only use genuine Makita batteries. Use of non-genuine Makita batteries, or batteries that have been altered, may result in the battery bursting causing fires, personal injury and damage. It will also void the Makita warranty for the Makita tool and charger.

Tips for maintaining maximum battery life

1. Charge the battery cartridge before completely discharged. Always stop tool operation and charge the battery cartridge when you notice less tool power.
2. Never recharge a fully charged battery cartridge. Overcharging shortens the battery service life.
3. Charge the battery cartridge with room temperature at 10 °C - 40 °C (50 °F - 104 °F). Let a hot battery cartridge cool down before charging it.
4. Charge the battery cartridge if you do not use it for a long period (more than six months).

FUNCTIONAL DESCRIPTION

CAUTION:

- Always be sure that the tool is switched off and the battery cartridge is removed before adjusting or checking function on the tool.

Installing or removing battery cartridge

► Fig.1: 1. Red indicator 2. Button 3. Battery cartridge

CAUTION:

- Always switch off the tool before installing or removing of the battery cartridge.
- Hold the tool and the battery cartridge firmly when installing or removing battery cartridge.** Failure to hold the tool and the battery cartridge firmly may cause them to slip off your hands and result in damage to the tool and battery cartridge and a personal injury.

To remove the battery cartridge, slide it from the tool while sliding the button on the front of the cartridge. To install the battery cartridge, align the tongue on the battery cartridge with the groove in the housing and slip it into place. Insert it all the way until it locks in place with a little click. If you can see the red indicator on the upper side of the button, it is not locked completely.

CAUTION:

- Always install the battery cartridge fully until the red indicator cannot be seen. If not, it may accidentally fall out of the tool, causing injury to you or someone around you.
- Do not install the battery cartridge forcibly. If the cartridge does not slide in easily, it is not being inserted correctly.

Battery protection system (Lithium-ion battery with star marking)

► Fig.2: 1. Star marking

Lithium-ion batteries with a star marking are equipped with a protection system. This system automatically cuts off power to the tool to extend battery life. The tool will automatically stop during operation if the tool and/or battery are placed under one of the following conditions:






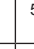





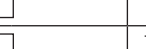





- Overloaded:**
The tool is operated in a manner that causes it to draw an abnormally high current. In this situation, stop the application that caused the tool to become overloaded. Then press the start/speed adjusting button again to restart. If the tool does not start, the battery is overheated. In this situation, let the battery cool before pressing the start/speed adjusting button.
- Low battery voltage:**
The remaining battery capacity is too low and the tool will not operate. In this situation, remove and recharge the battery.

Indicating the remaining battery capacity

Only for battery cartridges with the indicator

► Fig.3: 1. Indicator lamps 2. Check button

Press the check button on the battery cartridge to indicate the remaining battery capacity. The indicator lamps light up for a few seconds.

Indicator lamps			Remaining capacity
 Lighted	 Off	 Blinking	
			75% to 100%
			50% to 75%
			25% to 50%
			0% to 25%
			Charge the battery.
			The battery may have malfunctioned.
			

NOTE: Depending on the conditions of use and the ambient temperature, the indication may differ slightly from the actual capacity.

Switch action and speed adjusting button

► Fig.4: 1. Stop button 2. Start/speed adjusting button

To start the tool, press the start/speed adjusting button. The tool starts with high speed mode. Each time you press the start/speed adjusting button, the speed mode changes in an order of hi speed, middle speed, and low speed.

To stop the tool, press the stop button.

Refer to the table for the relationship between the speed mode and the kind of work.

Speed mode	Number of rotations	Usage
High	11,000	Regular sanding
Middle	9,500	Finish sanding
Low	7,000	Polishing

NOTE:

- The table shows standard applications. They may differ under certain conditions.

ASSEMBLY

⚠ CAUTION:

- Always be sure that the tool is switched off and the battery cartridge is removed before carrying out any work on the tool.

Installing abrasive disc

► **Fig.5:** 1. Pad 2. Abrasive disc

To install the abrasive disc, first remove all dirt or foreign matter from the pad. Then attach the abrasive disc to the pad. Be careful to align the holes in the abrasive disc with those in the pad.

Installing dust bag (optional accessory)

► **Fig.6:** 1. Dust bag

Install the dust bag on the tool with its mouth directing downwards.

Emptying dust bag

► **Fig.7:** 1. Dust nozzle

When the dust bag is about half full, switch off the tool, and remove the dust bag from the tool. Then remove the dust nozzle from the dust bag after unlocking the dust nozzle by turning it slightly counterclockwise.

Empty the dust bag by tapping it lightly.

► **Fig.8:** 1. Dust nozzle

After emptying the dust bag, install the dust nozzle on the dust bag. Turn the dust nozzle slightly clockwise to lock it in place. Then install the dust bag on the tool as described in "Installing dust bag".

Installing paper filter bag (Optional accessory)

► **Fig.9:** 1. Holding tab

Make sure that the logo on the cardboard lip and the logo on the dust box are on the same side, then install the paper filter bag by fitting the cardboard lip in the groove of each holding tab.

► **Fig.10:** 1. Dust box 2. Dust nozzle

Make sure that the logo on the cardboard lip and the logo on the dust nozzle are on the same side, then install the dust nozzle on the dust box.

Removing dust box and paper filter bag

► **Fig.11:** 1. Latch 2. Dust nozzle

Remove the dust nozzle by pushing the two latches.

► **Fig.12**

Remove the paper filter bag first by pinching the logo side of its cardboard lip, then by pulling the cardboard lip downwards to move it out of the holding tab of the dust box.

Removing and reinstalling the skirt

⚠ CAUTION: Do not use the tool without the skirt. Otherwise dust is scattered all over.

► **Fig.13**

You can choose one of 12 directions of the skirt in accordance with your purpose.

► **Fig.14:** 1. Skirt 2. Screw

To remove the skirt, remove the screw and remove the skirt with slightly opening it for both sides.

► **Fig.15:** 1. Skirt

To reinstall the skirt, install it with slightly opening it for both sides. And fasten the screw.

⚠ CAUTION: Do not set the skirt other than the designated angle. Otherwise the tool may be damaged.

OPERATION

⚠ WARNING: Never switch on the tool when it is in contact with the workpiece, it may cause an injury to operator.

Sanding operation

► **Fig.16**

⚠ CAUTION:

- Never run the tool without the abrasive disc. You may seriously damage the pad.
- Never force the tool. Excessive pressure may decrease the sanding efficiency, damage the abrasive disc or shorten tool life.
- Using the tool with the pad edge contacting the workpiece may damage the pad.

Hold the tool firmly. Turn the tool on and wait until it attains full speed. Then gently place the tool on the workpiece surface. Keep the pad flush with the workpiece and apply slight pressure on the tool.

⚠ CAUTION: The sanding pad rotates clockwise during the loaded operation, but it may rotate counterclockwise during the no-load operation.

Polishing operation (optional)

⚠ CAUTION:

- Use only a Makita genuine sponge pad, felt pad or wool pad (optional accessories).
- Always operate the tool at low speed to prevent work surfaces from heating abnormally.
- Never force the tool. Excessive pressure may decrease the polishing efficiency and cause motor overload, resulting in tool malfunction.

1. Applying wax

► Fig.17: 1. Sponge pad

Use an optional sponge pad. Apply wax to the sponge pad or work surface. Run the tool at low speed to smooth out wax.

NOTE:

- First, wax a not conspicuous portion of the work surface to make sure that the tool will not scratch the surface or result in uneven waxing.
- The tool starts with high speed mode. Be careful when you start the tool. The wax may be spattered. It is recommended that you spread wax with the tool stopped before starting up the tool. Change the speed mode to low immediately after you start the tool.
- Always run the tool at low speed. Running it at high speed may cause the wax to spatter.

2. Removing wax

► Fig.18: 1. Felt pad

Use an optional felt pad. Run the tool at low speed to remove wax.

3. Polishing

► Fig.19: 1. Wool pad

Use an optional wool pad. Run the tool at low speed and apply the wool pad gently to the work surface.

OPTIONAL ACCESSORIES

⚠ CAUTION:

- These accessories or attachments are recommended for use with your Makita tool specified in this manual. The use of any other accessories or attachments might present a risk of injury to persons. Only use accessory or attachment for its stated purpose.

If you need any assistance for more details regarding these accessories, ask your local Makita Service Center.

- Hook-and-loop type abrasive discs (with pre-punched holes)
- Hook-and-loop type sponge pad
- Hook-and-loop type felt pad
- Hook-and-loop type wool pad
- Makita genuine battery and charger
- Dust box
- Paper filter bag
- Dust bag

NOTE:

- Some items in the list may be included in the tool package as standard accessories. They may differ from country to country.

MAINTENANCE

⚠ CAUTION:

- Always be sure that the tool is switched off and the battery cartridge is removed before attempting to perform inspection or maintenance.
- Never use gasoline, benzine, thinner, alcohol or the like. Discoloration, deformation or cracks may result.

To maintain product SAFETY and RELIABILITY, repairs, carbon brush inspection and replacement, any other maintenance or adjustment should be performed by Makita Authorized Service Centers, always using Makita replacement parts.

SPECIFIKATIONER

Modell		DBO140	DBO180
Pappersstorlek		125 mm	
Omlopp per minut (min ⁻¹)	Låg hastighet	7 000	
	Medelhastighet	9 500	
	Hög hastighet	11 000	
Mått		175 mm x 123 mm x 153 mm	
Vikt		1,3 - 1,6 kg	1,4 - 1,7 kg
Märkspänning		14,4 V likström	18 V likström

- På grund av vårt pågående program för forskning och utveckling kan dessa specifikationer ändras utan föregående meddelande.
- Specifikationer kan variera mellan olika länder.
- Vikten kan variera beroende på tillbehören, inklusive batterikassett. Den lättaste och den tyngsta kombinationen enligt EPTA-procedur 01/2014 visas i tabellen.

Tillgänglig batterikassett och laddare

Batterikassett	14,4 V likströmsmodell	BL1415N / BL1430 / BL1430B / BL1440 / BL1450 / BL1460B
	18 V likströmsmodell	BL1815N / BL1820 / BL1820B / BL1830 / BL1830B / BL1840 / BL1840B / BL1850 / BL1850B / BL1860B
Laddare		DC18RC / DC18RD / DC18RE / DC18SD / DC18SE / DC18SF

- Vissa av batterikassetterna och laddarna på listan ovan kanske inte finns tillgängliga i din region.

⚠ VARNING: Använd endast batterikassetter och laddare från listan ovan. Användning av andra batterikassetter och laddare kan orsaka personskada och/eller brand.

Användningsområde

Verktyget är avsett för slipning av stora ytor i trä, plast och metall, samt för målade ytor.

Buller

Typiska A-vägd bullernivån är mätt enligt EN62841:

Modell DBO140

Ljudtrycksnivå (L_{pA}): 78 dB (A)

Måttolerans (K): 3 dB (A)

Bullernivån vid arbete kan överstiga 80 dB (A).

Modell DBO180

Ljudtrycksnivå (L_{pA}): 77 dB (A)

Måttolerans (K): 3 dB (A)

Bullernivån vid arbete kan överstiga 80 dB (A).

Använd hörselskydd

Vibration

Vibrationens totalvärde (tre-axlars vektorsumma) mätt enligt EN62841:

Modell DBO140

Arbetsläge: Slipning av metallplåt

Vibrationsemission (a_h): 2,5 m/s² eller lägre

Måttolerans (K): 1,5 m/s²

Modell DBO180

Arbetsläge: Slipning av metallplåt

Vibrationsemission (a_h): 2,5 m/s² eller lägre

Måttolerans (K): 1,5 m/s²

OBS: Det deklarerade vibrationsemissionsvärdet har uppmätts i enlighet med standardtestmetoden och kan användas för jämförandet av en maskin med en annan.

OBS: Det deklarerade vibrationsemissionsvärdet kan också användas i preliminär bedömning av exponering för vibration.

⚠ VARNING: Vibrationsemissionen under faktisk användning av maskinen kan skilja sig från det deklarerade emissionsvärdet, beroende på hur maskinen används.

⚠ VARNING: Se till att hitta säkerhetsåtgärder som kan skydda användaren och som grundar sig på en uppskattning av exponering i verkligheten (ta med i beräkningen alla delar av användandet såsom antal gånger maskinen är avstängd och när den körs på tomgång samt då startomkopplaren används).

EG-försäkran om överensstämmelse

Gäller endast inom EU

EG-försäkran om överensstämmelse inkluderar som bilaga A till denna bruksanvisning.

Allmänna säkerhetsvarningar för maskiner

⚠ VARNING: Läs alla säkerhetsvarningar, anvisningar, illustrationer och specifikationer som medföljer det här maskinen. Underlåtenhet att följa instruktionerna kan leda till elstöt, brand och/eller allvariga personskador.

Spara alla varningar och instruktioner för framtida referens.

Termen "maskin" som anges i varningarna hänvisar till din eldrivna maskin (sladdansluten) eller batteridrivna maskin (sladdlös).

SÄKERHETSVARNINGAR FÖR SLIPMASKIN

1. Använd alltid skyddsglasögon. Vanliga glasögon och solglasögon är INTE skyddsglasögon.
2. Håll maskinen stadigt.
3. Lämna inte maskinen igång. Använd endast maskinen när du håller den i händerna.
4. Detta verktyg är inte vattenskyddat, använd därför inte vatten på arbetsstyckets yta.
5. Ventilera arbetsplatsen ordentligt när du utför sliparbeten.
6. Vissa material kan innehålla giftiga kemikalier. Se till att du inte andas in damm eller får det på huden. Följ anvisningarna i leverantörens materialsäkerhetsblad.
7. Används verktyget för slipning av vissa produkter, färger och trä, kan användaren utsättas för damm som innehåller farliga ämnen. Använd lämpligt andningsskydd.
8. Se före användning till att underlagsplattan inte är sprucken eller trasig. Sprickor och skador kan orsaka personskada.

SPARA DESSA ANVISNINGAR.

⚠ VARNING: GLÖM INTE att noggrant följa säkerhetsanvisningarna för maskinen även efter det att du har blivit van att använda den. **OVARSAM** hantering eller underlåtenhet att följa säkerhetsanvisningarna i denna bruksanvisning kan leda till allvariga personskador.

Viktiga säkerhetsanvisningar för batterikassetten

1. Innan batterikassetten används ska alla instruktioner och varningsmärken på (1) batteriladdaren, (2) batteriet och (3) produkten läsas.
2. Montera inte isär batterikassetten.
3. Om drifttiden blivit avsevärt kortare ska användningen avbrytas omedelbart. Det kan uppstå överhettning, brännskador och t o m en explosion.

4. Om du får elektrolyt i ögonen ska de sköljas med rent vatten och läkare uppsökas omedelbart. Det finns risk för att synen förloras.
5. Kortslut inte batterikassetten.
 - (1) Rör inte vid polerna med något strömförande material.
 - (2) Undvik att förvara batterikassetten tillsammans med andra metallobjekt som t.ex. spikar, mynt o.s.v.
 - (3) Skydda batteriet mot vatten och regn. En batterikortslutning kan orsaka ett stort strömflöde, överhettning, brand och maskinhaveri.
6. Förvara inte maskinen och batterikassetten på platser där temperaturen kan nå eller överstiga 50 °C.
7. Bränn inte upp batterikassetten även om den är svårt skadad eller helt utsliten. Batterikassetten kan explodera i öppen eld.
8. Var försiktig så att du inte råkar tappa batteriet och utsätt det inte för stötar.
9. Använd inte ett skadat batteri.
10. De medföljande litiumjonbatterierna är föremål för kraven i gällande lagstiftning för farligt gods. För kommersiella transporter (av t.ex. tredje parter som speditiönsfirmor) måste de särskilda transportkrav som anges på emballaget och etiketter iakttagas.

För att förbereda den produkt som ska avsändas krävs att du konsulterar en expert på riskmaterial. Var också uppmärksam på att det i ditt land kan finnas ytterligare föreskrifter att följa. Tejpa över eller maskera blottade kontakter och packa batteriet på sådant sätt att det inte kan röra sig fritt i förpackningen.
11. Följ lokala föreskrifter beträffande avfallshandling av batteriet.
12. Använd endast batterierna med de produkter som specificerats av Makita. Att använda batterierna med ej godkända produkter kan leda till brand, överdriven värme, explosion eller utläckande elektrolyt.

SPARA DESSA ANVISNINGAR.

⚠ FÖRSIKTIGT: Använda endast äkta Makita-batterier. Användning av oäkta Makita-batterier eller batterier som har manipulerats kan leda till person- och utrustningsskador eller till att batteriet fattar eld. Det upphäver också Makitas garanti för verktyget och laddaren.

Tips för att uppnå batteriets maximala livslängd

1. Ladda batterikassetten innan den är helt urladdad. Stanna alltid maskinen och ladda batterikassetten när du märker att maskinen blir svagare.
2. Ladda aldrig en fulladdad batterikasset. Överladdning förkortar batteriets livslängd.
3. Ladda batterikassetten vid en rumstemperatur på 10 °C - 40 °C. Låt en varm batterikasset svalna innan den laddas.
4. Ladda batterikassetten om du inte har använt den på länge (mer än sex månader).

FUNKTIONSBESKRIVNING

⚠ FÖRSIKTIGT:

- Se alltid till att maskinen är avstängd och batterikassetten borttagen innan du justerar eller kontrollerar maskinens funktioner.

Montera eller demontera batterikassetten

► Fig.1: 1. Röd indikator 2. Knapp 3. Batterikassett

⚠ FÖRSIKTIGT:

- Stäng alltid av maskinen innan du monterar eller tar bort batterikassetten.
- **Håll stadigt i maskinen och batterikassetten när du installerar eller tar bort batterikassetten.** Om du inte håller stadigt i maskinen och batterikassetten kan de halka ur dina händer och skadas samt orsaka personskada.

Ta bort batterikassetten genom att skjuta ner knappen på kassetten framsida samtidigt som du drar ut batterikassetten.

Sätt i batterikassetten genom att rikta in tungan på batterikassetten mot spåret i höljet och skjut den på plats. Tryck in batterikassetten ordentligt tills den låser fast med ett klick. Om du kan se den röda indikatorn på knappens ovansida är batterikassetten inte låst ordentligt.

⚠ FÖRSIKTIGT:

- Sätt alltid i batterikassetten helt tills den röda indikatorn inte längre syns. I annat fall kan den oväntat falla ur maskinen och skada dig eller någon annan.
- Montera inte batterikassetten med våld. Om kassetten inte lätt glider på plats är den felinsatt.

Batteriskyddssystem (litium-ion-batteri med stjärnmarkering)

► Fig.2: 1. Stjärnmarkering

Litium-ion-batterier med en stjärnmarkering är utrustade med ett skyddssystem. Detta system bryter automatiskt strömmen till maskinen för att förlänga batteriets livslängd. Maskinen stanna automatiskt under användningen om maskinen och/eller batteriet hamnar i en av följande situationer:

- **Överbelastad:**
Maskinen används på ett sätt som orsakar att den förbrukar onormalt mycket ström. Stoppa då handlingen som orsakar att maskinen blir överbelastad. Tryck sedan på justeringsknappen för start/hastighet igen för att starta om.
Om maskinen inte startar är batteriet överhettat. Låt då batteriet svalna innan du trycker på justeringsknappen för start/hastighet.
- **Batterispänningen faller:**
Den kvarvarande batterikapaciteten är för låg och maskinen fungerar inte. I detta läge tar du bort batteriet och laddar det.

Indikerar kvarvarande batterikapacitet

Endast för batterikassetter med indikator

► Fig.3: 1. Indikatorlampor 2. Kontrollknapp

Tryck på kontrollknappen på batterikassetten för att se kvarvarande batterikapacitet. Indikatorlamporna lyser i ett par sekunder.

Indikatorlampor			Kvarvarande kapacitet
Upplyst	Av	Blinkar	
■ ■ ■ ■			75% till 100%
■ ■ ■ □			50% till 75%
■ ■ □ □			25% till 50%
■ □ □ □			0% till 25%
◻ □ □ □			Ladda batteriet.
■ ■ □ □			Batteriet kan ha skadats.
□ □ ■ ■			

OBS: Beroende på användningsförhållanden och den omgivande temperaturen kan indikationen skilja sig lätt från den faktiska batterikapaciteten.

Strömbrytarens funktion och justeringsknappen för hastighet

► Fig.4: 1. Stoppknapp 2. Justeringsknapp för start/hastighet

Tryck på justeringsknappen för start/hastighet för att starta maskinen. Maskinen startar i högt hastighetsläge. Varje gång som du trycker på justeringsknappen för start/hastighet ändras hastighetsläget i ordningen hög hastighet, medelhastighet och låg hastighet. Tryck på stoppknappen för att stanna maskinen. Se tabellen för förhållandet mellan hastighetsläget och typ av arbete.

Hastighetsläge	Varvtal	Användning
Hög	11 000	Normal slipning
Medel	9 500	Finslipning
Låg	7 000	Polering

OBS:

- Tabellen visar standardarbeten. De kan variera beroende på omständigheterna.

MONTERING

⚠ FÖRSIKTIGT:

- Se alltid till att maskinen är avstängd och batterikassetten borttagen innan du underhåller maskinen.

Montering av sliprondell

► Fig.5: 1. Stödronde 2. Sliprondell

Vid montering av sliprondellen ska du först ta bort allt smuts och andra partiklar från stödronde. Fäst sedan sliprondellen på stödronde. Se noga till att hålen i sliprondellen passas in med hålen i stödronde.

Montering av damppåse (valfritt tillbehör)

► Fig.6: 1. Damppåse

Montera damppåsen på maskinen med dess öppning riktad nedåt.

Att tömma damppåsen

► Fig.7: 1. Dammunestycke

Stäng av maskinen och ta bort damppåsen från maskinen när den är halvfyll. Ta sedan bort dammunestycket från damppåsen efter att du låst upp dammunestycket genom att vrida det en aning moturs. Töm damppåsen genom att knacka lite lätt på den.

► Fig.8: 1. Dammunestycke

Montera dammunestycket på damppåsen efter tömningen. Vrid dammunestycket en aning medurs för att låsa det på plats. Montera sedan damppåsen på maskinen, såsom beskrivs i avsnittet "Montering av damppåse".

Montering av pappersfilterpåse (valfritt tillbehör)

► Fig.9: 1. Fästflikar

Kontrollera att logotypen på kartongkanten och logotypen på dammuppsamlingslådan är på samma sida. Montera sedan pappersfilterpåsen genom att passa in kartongkanten i spåret för varje fästflik.

► Fig.10: 1. Dammuppsamlingslåda 2. Dammunestycke

Kontrollera att logotypen på kartongkanten och logotypen på dammunestycket är på samma sida. Montera sedan dammunestycket på dammuppsamlingslådan.

Demontering av dammuppsamlingslåda och pappersfilterpåse

► Fig.11: 1. Spärr 2. Dammunestycke

Ta bort dammunestycket genom att trycka på det två låsanordningarna.

► Fig.12

Ta först bort pappersfilterpåsen genom att pressa på den sidan av kartongkanten som har logotypen. Tryck sedan kartongkanten nedåt för att få ut den ur dammuppsamlingslådan fästflik.

Borttagning och återmontering av kjolen

⚠ FÖRSIKTIGT: Använd inte maskinen utan kjolen. I annat fall sprids damm överallt.

► Fig.13

Du kan välja en av 12 riktningar för kjolen i enlighet med ditt arbete.

► Fig.14: 1. Påse 2. Skruv

För att ta bort kjolen tar du först bort skruven och sedan kjolen genom att lätt öppna den på båda sidor.

► Fig.15: 1. Påse

För att återmontera kjolen, monterar du den genom att lätt öppna den på båda sidor. Fäst skruven.

⚠ FÖRSIKTIGT: Placera inte kjolen på annat sätt än den angivna vinkeln. I annat fall kan maskinen skadas.

ANVÄNDNING

⚠ VARNING: Starta aldrig maskinen när denna är i kontakt med arbetsstycket. Det kan orsaka personskadorna.

Slipning

► Fig.16

⚠ FÖRSIKTIGT:

- Kör aldrig maskinen utan slipskiva. Det kan ge svåra skador på stödronde.
- Tvinga inte maskinen. Alltför hårt tryck kan minska slipningseffektiviteten, skada sliprondellen eller förkorta maskinens livslängd.
- Plattan kan skadas om maskinen används så att plattans kant kommer i kontakt med arbetsstycket.

Håll maskinen stadigt. Starta maskinen och vänta tills den uppnått full hastighet. Placera sedan maskinen försiktigt på arbetsstyckets yta. Håll slipplattan plan mot arbetsstycket och anlägg ett lätt tryck på maskinen.

⚠ FÖRSIKTIGT: Slipplattan roteras medurs vid användning på ett arbetsstycke, men det kan hända att den roterar moturs vid användning utan belastning.

Polering (valfritt)

⚠ FÖRSIKTIGT:

- Använd endast Makita original polersvamp, polerfilt eller lammullshätta (valfritt tillbehör)
- Använd alltid maskinen med låg hastighet för att förhindra att arbetsytan blir onormalt varm.
- Tvinga inte maskinen. Alltför hårt tryck kan minska poleringseffektiviteten och orsaka överbelastning av motorn, vilket kan resultera i att det uppstår funktionsstörningar på maskinen.

1. Påstrykning av vax

► Fig.17: 1. Polersvamp

Använd en polersvamp som finns som separat tillbehör. Stryk på vax på polersvampen eller arbetsytan. Kör maskinen med låg hastighet för att stryka ut vaxet.

OBS:

- Vaxa först en del av arbetsytan som inte är iögonfallande, för att kontrollera att maskinen inte repar ytan eller ger en ojämn vaxning.
- Maskinen startar i högt hastighetsläge. Var försiktig när du startar maskinen. Vaxet kan stänka. Vi rekommenderar att du sprider vax med maskinen avstängd innan du startar maskinen. Ändra genast hastighetsläget till låg efter att du har startat maskinen.
- Kör alltid maskinen med låg hastighet. Om den körs med hög hastighet kan det hända att vaxet stänks omkring.

2. Borttagning av vax

► Fig.18: 1. Polerfilt

Använd en polerfilt som finns som separat tillbehör. Kör maskinen med låg hastighet för att ta bort vaxet.

3. Polering

► Fig.19: 1. Ulldyna

Använd en lammullshätta som finns som separat tillbehör. Kör maskinen med låg hastighet och anlägg lammullshättan försiktigt mot arbetsytan.

UNDERHÅLL

⚠ FÖRSIKTIGT:

- Se alltid till att maskinen är avstängd och batterikassetten borttagen innan inspektion eller underhåll utförs.
- Använd inte bensin, thinner, alkohol eller liknande. Missfärgning, deformation eller sprickor kan uppstå.

För att upprätthålla produktens SÄKERHET och TILLFÖRLITLIGHET bör reparationer, kontroll och utbyte av kolborstar samt allt annat underhålls- och justeringsarbete utföras av ett auktoriserat Makita servicecenter och med reservdelar från Makita.

VALFRIA TILLBEHÖR

⚠ FÖRSIKTIGT:

- Dessa tillbehör och tillsatser rekommenderas för användning tillsammans med den Makita-maskin som denna bruksanvisning avser. Om andra tillbehör eller tillsatser används kan det uppstå risk för personskador. Använd endast tillbehören eller tillsatserna för de syften de är avsedda för.

Kontakta ditt lokala Makita servicecenter om du behöver ytterligare information om dessa tillbehör.

- Sliprendell med kardborrfäste (med förstansade hål)
- Polersvamp med kardborrfäste
- Polerfilt med kardborrfäste
- Lammullshätta med kardborrfäste
- Makitas originalbatteri och -laddare
- Dammuppsamlingslåda
- Pappersfilterpåse
- Damppåse

OBS:

- Några av tillbehören i listan kan vara inkluderade i maskinpaketet som standardtillbehör. De kan variera mellan olika länder.

TEKNISKE DATA

Modell	DBO140	DBO180
Papirformat	125 mm	
Sykluser per minutt (min ⁻¹)	Lavt turtall	7 000
	Middels turtall	9 500
	Høyt turtall	11 000
Mål	175 mm x 123 mm x 153 mm	
Nettovekt	1,3 - 1,6 kg	1,4 - 1,7 kg
Merkespenning	DC 14,4 V	DC 18 V

- På grunn av vårt kontinuerlige forsknings- og utviklingsprogram kan spesifikasjonene som oppgis i dette dokumentet endres uten varsel.
- Spesifikasjonene kan variere fra land til land.
- Vekten kan variere avhengig av tilbehør/tilbehørene, inkludert batteriet. Den letteste og tyngste kombinasjonen, i henhold til EPTA-prosedyre 01/2014, vises i tabellen.

Passende batteri og lader

Batteriinnsets	DC 14,4 V modell	BL1415N / BL1430 / BL1430B / BL1440 / BL1450 / BL1460B
	DC 18 V modell	BL1815N / BL1820 / BL1820B / BL1830 / BL1830B / BL1840 / BL1840B / BL1850 / BL1850B / BL1860B
Lader	DC18RC / DC18RD / DC18RE / DC18SD / DC18SE / DC18SF	

- Noen av batteriene og laderne som er opplistet ovenfor er kanskje ikke tilgjengelige, avhengig av hvor du bor.

⚠ ADVARSEL: Bruk kun de batteriene og laderne som er opplistet ovenfor. Bruk av andre batterier og ladere kan føre til personskader og/eller brann.

Beregnet bruk

Denne maskinen er laget for å pusse store treflater, plast og metallmaterialer samt malte overflater.

Støy

Typisk A-vektet lydtrykknivå er bestemt i henhold til EN62841:

Modell DBO140

Lydtrykknivå (L_{pA}): 78 dB (A)

Usikkerhet (K): 3 dB (A)

Støynivået under arbeid kan overskride 80 dB (A).

Modell DBO180

Lydtrykknivå (L_{pA}): 77 dB (A)

Usikkerhet (K): 3 dB (A)

Støynivået under arbeid kan overskride 80 dB (A).

Bruk hørselvern

Vibrasjon

Den totale vibrasjonsverdien (triaksial vektorsum) bestemt i henhold til EN62841:

Modell DBO140

Arbeidsmodus: pussing av metallplate

Genererte vibrasjoner (a_h): 2,5 m/s² eller mindre

Usikkerhet (K): 1,5 m/s²

Modell DBO180

Arbeidsmodus: pussing av metallplate

Genererte vibrasjoner (a_h): 2,5 m/s² eller mindre

Usikkerhet (K): 1,5 m/s²

MERK: Den angitte verdien for de genererte vibrasjonene er blitt målt i samsvar med standardtestmetoden og kan brukes til å sammenlikne et verktøy med et annet.

MERK: Den angitte verdien for de genererte vibrasjonene kan også brukes til en foreløpig vurdering av eksponeringen.

⚠ ADVARSEL: De genererte vibrasjonene ved faktisk bruk av elektroverktøyet kan avvike fra den oppgitte vibrasjonsverdien, avhengig av hvordan verktøyet brukes.

⚠ ADVARSEL: Vær påpasselig med å finne sikkerhetstiltak som beskytter operatøren, basert på en oppfatning av risiko under faktiske bruksforhold (på bakgrunn av alle sider ved brukssyklusen, som når verktøyet slås av og når det går på tomgang, i tillegg til oppstarten).

EFs samsvarserklæring

Gjelder kun for land i Europa

EFs samsvarserklæring er lagt til som vedlegg A i denne bruksanvisningen.

Generelle advarsler angående sikkerhet for elektroverktøy

⚠ ADVARSEL: Les alle sikkerhetsadvarsler, instruksjoner, illustrasjoner og spesifikasjoner som følger med dette elektroverktøyet. Hvis ikke alle instruksjonene nedenfor følges, kan det forekomme elektrisk støt, brann og/eller alvorlig skade.

Oppbevar alle advarsler og instruksjoner for senere bruk.

Uttrykket «elektrisk verktøy» i advarslene refererer både til elektriske verktøy (med ledning) tilkoblet strømmen, og batteridrevne verktøy (uten ledning).

SIKKERHETSANVISNINGER FOR SLIPEMASKIN

1. Du må alltid bruke vernebriller eller ansiktsvern. Vanlige briller eller solbriller er IKKE vernebriller.
2. Hold maskinen godt fast.
3. Ikke gå fra verktøyet mens det er i gang. Verktøyet må bare brukes mens operatøren holder det i hendene.
4. Denne maskinen er ikke vannrett, så ikke bruk vann på arbeidsstykket.
5. Ventilér arbeidsområdet skikkelig når du pusser noe.
6. Enkelte materialer inneholder kjemikalier som kan være giftige. Treff tiltak for å hindre hudkontakt og innånding av støv. Følg leverandørens sikkerhetsanvisninger.
7. Ved bruk av denne maskinen til å pusse non produkter, maling og tre, kan brukeren bli utsatt for støv fra farlige stoffer. Bruk passende pustebeskyttelse.
8. Før du begynner å bruke rondellen, må du undersøke den for sprekker eller andre skader. Sprekker eller skader kan resultere i helseskader.

TA VARE PÅ DISSE INSTRUKSENE.

⚠ ADVARSEL: Selv om du har brukt produktet mye og føler deg fortrolig med det, er det likevel svært viktig at du følger nøye de retningslinjene for sikkerhet som er utarbeidet for dette produktet. MISBRUK av verktøyet eller mislighold av sikkerhetsreglene i denne brukerhåndboken kan resultere i alvorlige helseskader.

Viktige sikkerhetsanvisninger for batteriinnsetts

1. Før du begynner å bruke batteriet, må du lese alle anvisninger og forsiktighetsregler på (1) batteriladeren, (2) batteriet og (3) det produktet batteriet skal brukes i.
2. Ikke ta fra hverandre batteriet.
3. Hvis driftstiden er blitt vesentlig kortere, må du omgående slutte å bruke maskinen. Hvis ikke kan resultatet bli overoppheting, mulige forbrenninger eller til og med en eksplosjon.

4. Hvis du får elektrolytt i øynene, må du skylle dem med store mengder rennende vann og oppsøke lege med én gang. Denne typen uhell kan føre til varig blindhet.
5. Ikke kortslett batteriet:
 - (1) De kan være ekstremt varme og du kan brenne deg.
 - (2) Ikke lagre batteriet i samme beholder som andre metallgjenstander, som for eksempel spiker, mynter osv.
 - (3) Ikke la batteriet komme i kontakt med vann eller regn.En kortslutning av batteriet kan føre til et kraftig strømstøt, overoppheting, mulige forbrenninger og til og med til at batteriet går i stykker.

6. Ikke lagre maskinen og batteriet på steder hvor temperaturen kan komme opp i eller overskride 50 °C.
7. Ikke sett fyr på batteriet, ikke engang om det er sterkt skadet eller helt utslitt. Batteriet kan eksplodere hvis det begynner å brenne.
8. Vær forsiktig så du ikke mister batteriet eller utsetter det for slag.
9. Ikke bruk batterier som er skadet.
10. Lithium-ion-batteriene som medfølger er gjenstand for krav om spesialavfall. For kommersiell transport, f.eks. av tredjeparter eller speditorer, må spesielle krav om pakking og merking følges. Før varen blir sendt, må du forhøre deg med en ekspert på farlig materiale. Ta også hensyn til muligheten for mer detaljerte nasjonale bestemmelser. Bruk teip eller maskeringsteip for å skjule åpne kontakter og pakk inn batteriet på en slik måte at den ikke kan bevege seg rundt i emballasjen.
11. Følg lokale bestemmelser for avhending av batterier.
12. Bruk batteriene kun med produkter spesifisert av Makita. Montere batteriene i produkter som ikke er konforme kan føre til brann, overheting eller elektrolyttlekkasje.

TA VARE PÅ DISSE INSTRUKSENE.

⚠ FORSIKTIG: Bruk kun originale Makita-batterier. Bruk av batterier som har endret seg, eller som ikke er originale Makita-batterier, kan føre til at batteriet sprekker og forårsaker brann, personskader og andre skader. Det vil også ugyldiggjøre garantien for Makita-verktøyet og -laderen.

Tips for å opprettholde maksimal batterilevetid

1. Lad batteriinnsettsen før den er helt utladet. Stopp alltid driften av verktøyet og lad batteriinnsettsen når du merker at effekten reduseres.
2. Lad aldri en batteriinnsetts som er fulladet. Overopplading forkorter batteriets levetid.
3. Lad batteriet i romtemperatur ved 10 °C - 40 °C. Et varmt batteri må kjøles ned før lading.
4. Lad batteriet hvis det ikke har vært brukt på en lang stund (over seks måneder).

FUNKSJONSBEKRIVELSE

⚠ FORSIKTIG:

- Forviss deg alltid om at maskinen er slått av og batteriet tatt ut før du justerer maskinen eller kontrollerer dens mekaniske funksjoner.

Sette inn eller ta ut batteri

► Fig.1: 1. Rød indikator 2. Knapp 3. Batteri

⚠ FORSIKTIG:

- Slå alltid av verktøyet før du setter inn eller fjerner batteriet.
- **Hold godt rundt maskinen og batteriet når du setter inn eller tar ut batteriet.** Hvis du mister ned maskinen eller batteriet, kan dette forårsake personskader eller skader på maskinen/batteriet.

For å ta ut batteriet må du skyve på knappen foran på batteriet og trekke det ut.

Når du skal sette inn batteriet, må du plassere tungen på batteriet på linje med sporet i huset og skyve batteriet på plass. Skyv det helt inn til det går i inngrep med et lite klikk. Hvis du kan se den røde anviseren på oversiden av knappen, er det ikke gått skikkelig i lås.

⚠ FORSIKTIG:

- Batteriet må alltid settes helt inn, så langt at den røde anviseren ikke lenger er synlig. Hvis du ikke gjør dette, kan batteriet falle ut av maskinen og skade deg eller andre som oppholder seg i nærheten.
- Ikke bruk makt når du setter i batteriet. Hvis batteriet ikke glir lett inn, er det fordi det ikke settes inn på riktig måte.

Beskyttelsessystem for batteri (litiumionbatteri med stjernemerking)

► Fig.2: 1. Stjernemerking

Litiumionbatteriet med stjernemerking er utstyrt med et beskyttelsessystem. Dette systemet slår automatisk av strømmen til verktøyet for å forlenge batteriets levetid. Verktøyet stopper automatisk ved drift hvis det og/eller batteriet utsettes for en av følgende tilstander:

- **Overbelastning:**
Verktøyet brukes på en måte som gjør at det trekker uvanlig mye strøm.
I denne situasjonen må bruken som overbelastet verktøyet avsluttes. Trykk deretter på start- og turtallsjusteringsknappen igjen for å starte på nytt.
Hvis verktøyet ikke starter, er batteriet overbelastet. I dette tilfellet, la batteriet kjøle seg ned før du trykker på start- og turtallsjusteringsknappen igjen.
- **Lav batterispenning:**
Gjenværende batterikapasitet er for lav, og verktøyet vil ikke fungere. I dette tilfellet, fjern og lad batteriet opp igjen.

Indikere gjenværende batterikapasitet

Kun for batterier med indikatoren

► Fig.3: 1. Indikatorlamper 2. Kontrollknapp

Trykk på sjekk-knappen på batteriet for vise gjenværende batterikapasitet. Indikatorlampene lyser i et par sekunder.

Indikatorlamper			Gjenværende batterinivå
Tent	Av	Bliker	
■	□	◐	75 % til 100 %
■	■	□	50 % til 75 %
■	□	□	25 % til 50 %
■	□	□	0 % til 25 %
◐	□	□	Lad batteriet.
■	■	□	Batteriet kan ha en feil.
□	□	■	

MERK: Det angitte nivået kan avvike noe fra den faktiske kapasiteten alt etter bruksforholdene og den omgivende temperaturen.

Bytt fra bevegelsesknapp til turtallsjusteringsknapp

► Fig.4: 1. Stoppknapp 2. Start- og turtallsjusteringsknapp

Trykk start-/turtallsjusteringsknappen for å starte verktøyet. Verktøyet starter i høy turtallsmodus. Hver gang du trykker på start-/turtallsjusteringsknappen endres turtallsmodusen i rekkefølgen høyt turtall, middels turtall og lavt turtall.

Trykk start-/turtallsjusteringsknappen for å stoppe verktøyet.

I tabellen finner du forholdet mellom turtallsmodus og type arbeid.

Turtallsmodus	Antall omdreininger	Bruk
Høy	11 000	Vanlig sliping
Middels	9 500	Overflatesliping
Lav	7 000	Polering

MERK:

- Tabellen viser standard arbeidstyper. Disse kan variere under enkelte forhold.

MONTERING

⚠️FORSIKTIG:

- Forviss deg alltid om at maskinen er slått av og batteriet tatt ut før du utfører noe arbeid på maskinen.

Sette på slipeskive

► **Fig.5:** 1. Pute 2. Slipeskive

Når du skal sette på en slipeskive må du først fjerne all skitt og evt. fremmedlegemer fra puten. Fest deretter slipeskiven på puten. Pass på at hullene på slipeskiven stemmer overens med hullene på puten.

Montere støvpose (valgfritt tilbehør)

► **Fig.6:** 1. Støvpose

Monter støvposen på verktøyet med åpningen vendt nedover.

Tømme støvposen

► **Fig.7:** 1. Støvmunnstykke

Slå verktøyet av og ta støvposen av ut når den er halvfull. Lås opp støvdysen ved å dreie den litt mot klokke-retning, og ta deretter støvdysen av støvposen. Tøm støvposen ved å dunke den forsiktig.

► **Fig.8:** 1. Støvmunnstykke

Etter at du har tømt støvposen, må du montere støvdysen på støvposen igjen. Drei støvdysen litt med klokken for at den skal låses på plass. Monter så støvposen på maskinen som beskrevet i "Montere støvposen".

Montere papirfilterpose (tilleggsutstyr)

► **Fig.9:** 1. Festeklemme

Pass på at logoen på pappkanten og logoen på støvbeholderen er på samme side, og installer deretter papirfilterposen ved å plassere pappkanten i sporet på hver av holdeflikene.

► **Fig.10:** 1. Støvboks 2. Støvmunnstykke

Kontroller at logoen på pappkanten og logoen på støvdysen er på samme side. Deretter monterer du støvdysen på støvboksen.

Fjerne støvboksen og papirfilterposen

► **Fig.11:** 1. Klemme 2. Støvmunnstykke

Fjern støvdysen ved å trykke på de to utløserne.

► **Fig.12**

Fjern papirfilterposen ved å holde i pappkanten på logosiden og deretter trekke pappkanten nedover og ut av festeklemmene på støvboksen.

Ta skjørtet av og på igjen

⚠️FORSIKTIG: Ikke bruk verktøyet uten skjørtet, ellers vil det fyke støv overalt.

► **Fig.13**

Avhengig av bruken, kan du velge én av 12 retninger på skjørtet.

► **Fig.14:** 1. Skjørt 2. Skrue

Ta skjørtet av ved å fjerne skruen og åpne litt for begge sider.

► **Fig.15:** 1. Skjørt

Sett skjørtet tilbake ved å åpne det litt for begge sider. Fest skruen.

⚠️FORSIKTIG: Ikke sett skjørtet på i annen vinkel enn den som angitt, ellers kan verktøyet bli ødelagt.

BRUK

⚠️ADVARSEL: Maskinen må aldri slås på mens den er i berøring med arbeidsstykket, da dette kan skade operatøren.

Slipedrift

► **Fig.16**

⚠️FORSIKTIG:

- Verktøyet må aldri kjøres uten slipeskive. I så fall kan rondellen få store skader.
- Bruk aldri makt på maskinen. For stor kraft kan redusere slipeeffektiviteten, ødelegge slipeskiven eller forkorte maskinens levetid.
- Hvis verktøyet brukes med putekanten i berøring med arbeidsstykket, kan puten bli skadet.

Hold maskinen godt fast. Slå på maskinen, og vent til den oppnår fullt turtall. Sett så maskinen forsiktig på overflaten av arbeidsemnet. La puten flukte med arbeidsemnet og legg et svakt trykk på maskinen.

⚠️FORSIKTIG: Sliperondellen roterer med klokken under belastet drift, men den kan rotere mot klokken ved ubelastet drift.

Poleringsfunksjon (valgfritt)

⚠️FORSIKTIG:

- Bruk bare en original Makita svampute, filtpute eller ullpute (tilleggsutstyr).
- Maskinen må alltid brukes på lavt turtall for å unngå unormal oppvarming av arbeidsoverflaten.
- Bruk aldri makt på maskinen. Overdrevent trykk kan redusere poleringseffektiviteten og forårsake overbelastning av motoren, noe som kan resultere i motorfeil.

1. Påføre voks

► Fig.17: 1. Polersvamp

Bruk en svamppute (tilleggsutstyr). Legg voks på svampputen eller arbeidsoverflaten. Kjør maskinen ved lavt turtall for å jevne ut voksen.

MERK:

- Voks først et sted på arbeidsoverflaten som ikke synes så godt, for å forvise deg om at maskinen ikke vil ripe opp overflaten eller vokse ujevnt.
- Verktøyet starter i høy turtallsmodus. Vær forsiktig når du starter verktøyet. Voksen kan sprute utover. Det anbefales at du fordeler voksen mens verktøyet er avslått, og starter det etterpå. Straks etter at du har startet verktøyet må du justere hastigheten ned til lavt turtall.
- Maskinen må alltid brukes på lavt turtall. Å kjøre den på høyt turtall kan få voksen til å sprute.

2. Fjerne voks

► Fig.18: 1. Filtpute

Bruk en filtpute (tilleggsutstyr). Kjør maskinen ved lavt turtall for å fjerne voksen.

3. Polere

► Fig.19: 1. Ullhette

Bruk en ullpute (tilleggsutstyr). Kjør maskinen med lavt turtall og legg ullputen forsiktig inntil arbeidsflaten.

VALGFRITT TILBEHØR

FORSIKTIG:

- Det anbefales at du bruker dette tilbehøret eller verktøyet sammen med den Makita-maskinen som er spesifisert i denne håndboken. Bruk av annet tilbehør eller verktøy kan forårsake helseskader. Tilbehør og verktøy må kun brukes til det formålet det er beregnet på.

Ta kontakt med ditt lokale Makita-servicesenter hvis du trenger mer informasjon om dette tilbehøret.

- Slipeskiver av krok-og-løkke-typen (med forhåndsstansede huller)
- Svamppute av krok-og-løkke-typen
- Filtpute av krok-og-løkke-typen
- Ullpute av krok-og-løkke-typen
- Makita originalbatteri og lader
- Støvboks
- Papirfilterpose
- Støvpose

MERK:

- Enkelte elementer i listen kan være inkludert som standardtilbehør i verktøypakken. Elementene kan variere fra land til land.

VEDLIKEHOLD

FORSIKTIG:

- Forviss deg alltid om at maskinen er slått av og batteriet tatt ut før du foretar inspeksjon eller vedlikehold.
- Aldri bruk gasolin, bensin, tynner alkohol eller lignende. Det kan føre til misfarging, deformering eller sprekkdannelse.

For å opprettholde produktets SIKKERHET og PÅLITELIGHET, må reparasjoner, inspeksjon og skifte av kullbørstene, vedlikehold og justeringer utføres av Makitas autoriserte servicesentre, og det må alltid brukes reservedeler fra Makita.

TEKNISET TIEDOT

Malli	DBO140	DBO180
Paperikoko	125 mm	
Kierrosta minuutissa (min ⁻¹)	Hidas	7 000
	Keskinopea	9 500
	Nopea	11 000
Mitat	175 mm x 123 mm x 153 mm	
Nettopaino	1,3 - 1,6 kg	1,4 - 1,7 kg
Nimellisjännite	DC 14,4 V	DC 18 V

- Jatkuvasta tutkimus- ja kehitystyöstämme johtuen esitetyt tekniset tiedot saattavat muuttua ilman erillistä ilmoitusta.
- Tekniset tiedot voivat vaihdella maittain.
- Paino voi olla erilainen lisävarusteista sekä akusta johtuen. EPTA-menettelytavan 01/2014 mukaisesti, taulukossa on kuvattu kevyin ja painavin laiteyhdistelmä.

Käytettävä akkupaketti ja laturi

Akkupaketti	DC 14,4 V malli	BL1415N / BL1430 / BL1430B / BL1440 / BL1450 / BL1460B
	DC 18 V malli	BL1815N / BL1820 / BL1820B / BL1830 / BL1830B / BL1840 / BL1840B / BL1850 / BL1850B / BL1860B
Laturi	DC18RC / DC18RD / DC18RE / DC18SD / DC18SE / DC18SF	

- Tiettyjä yläpuolella kuvattuja akkuja ja latureita ei ehkä ole saatavana asuinalueestasi johtuen.

VAROITUS: Käytä vain edellä eriteltyjä akkupaketteja ja latureita. Muiden akkupakettien ja laturien käyttäminen voi aiheuttaa loukkaantumisen ja/tai tulipalon.

Käyttötarkoitus

Työkalu on tarkoitettu suurten puu-, muovi- ja metallipintojen sekä maalattujen pintojen hiomiseen.

Melutaso

Tyypillinen A-painotettu melutaso määräytyy EN62841-standardin mukaan:

Malli DBO140

Äänenpainetaso (L_{PA}): 78 dB (A)

Virhemarginaali (K): 3 dB (A)

Työskentelyn aikana melutaso voi ylittää 80 dB (A).

Malli DBO180

Äänenpainetaso (L_{PA}): 77 dB (A)

Virhemarginaali (K): 3 dB (A)

Työskentelyn aikana melutaso voi ylittää 80 dB (A).

Käytä kuulosuojaimia

Tärinä

Värähtelyn kokonaisarvo (kolmiakselivektorin summa) on määritetty EN62841 mukaan:

Malli DBO140

Työtila : metallilevyn hionta

Tärinäpäästö (a_v): 2,5 m/s² tai vähemmän

Virhemarginaali (K): 1,5 m/s²

Malli DBO180

Työtila : metallilevyn hionta

Tärinäpäästö (a_v): 2,5 m/s² tai vähemmän

Virhemarginaali (K): 1,5 m/s²

HUOMAA: Ilmoitettu tärinäpäästöarvo on mitattu standarditestausten menetelmän mukaisesti, ja sen avulla voidaan vertailla työkaluja keskenään.

HUOMAA: Ilmoitettua tärinäpäästöarvoa voidaan käyttää myös altistumisen alustavaan arviointiin.

VAROITUS: Työkalun käytön aikana mitattu todellinen tärinäpäästöarvo voi poiketa ilmoitetusta tärinäpäästöarvosta työkalun käyttötavan mukaan.

VAROITUS: Selvitä käyttäjän suojaamiseksi tarvittavat varotoimet todellisissa käyttöolosuhteissa tapahtuvan arvioitujen altistumisen mukaisesti (ottaen huomioon käyttöjakso kokonaisuudessaan, myös jaksot, joiden aikana työkalu on sammutettuna tai käy tyhjäkäynnillä).

EY-vaatimustenmukaisuusvakuutus

Koskee vain Euroopan maita

EY-vaatimustenmukaisuusvakuutus on liitetty tähän käyttöoppaaseen.

Sähkötyökalujen käyttöä koskevat yleiset varoitukset

VAROITUS: Tutustu kaikkiin tämän sähkötyökalun mukana toimitettuihin varoituksiin, ohjeisiin, kuviin ja teknisiin tietoihin. Seuraavassa luettelujen ohjeiden noudattamatta jättäminen saattaa johtaa sähköiskuun, tulipaloon tai vakavaan vammautumiseen.

Säilytä varoitukset ja ohjeet tulevaa käyttöä varten.

Varoituksissa käytettävällä termillä "sähkötyökalu" tarkoitetaan joko verkkovirtaa käyttävää (johdollista) työkalua tai akkukäyttöistä (johdotonta) työkalua.

HIOMAKONEEN TURVALLISUUSOHJEET

1. Käytä aina suojalaseja. Tavalliset silmä- tai aurinkolasit EIVÄT ole suojalaseja.
2. Pidä työkalua tiukasti.
3. Älä jätä konetta käymään itseksensä. Käytä laitetta vain silloin, kun pidät sitä kädessä.
4. Tätä työkalua ei ole suunniteltu vesitiiviiksi. Älä siis käytä vettä työkalun pinnalla.
5. Tuuleta työskentelyalue hyvin, kun suoritat hiekkapaperihiontaa.
6. Jotkin materiaalit sisältävät kemikaaleja, jotka voivat olla myrkyllisiä. Huolehdi siitä, että pölyn sisäänhengittäminen ja ihokosketus estetään. Noudata materiaalin toimittajan turvaohjeita.
7. Tämän koneen käyttö hiomaan tuotteita, maalia ja puuta voi altistaa käyttäjän vahingollisia aineita sisältävälle pölylle. Käytä asianmukaista hengityssuojainta.
8. Varmista ennen käyttöä, ettei suojaimeen pehmusteessa ole halkeamia tai murtumia. Halkeamat tai murtumat voivat aiheuttaa henkilövahinkoja.

SÄILYTÄ NÄMÄ OHJEET.

VAROITUS: ÄLÄ anna työkalun helppokäyttöisyyden tai toistuvan käytön tuudittaa sinua väärään turvallisuuden tunteeseen niin, että laiminlyöt työkalun turvaohjeiden noudattamisen. VÄÄRINKÄYTTÖ tai tämän käyttöohjeen turvamääräysten laiminlyönti voi johtaa vakaviin henkilövahinkoihin.

Akkupakettia koskevia tärkeitä turvaohjeita

1. Ennen akun käyttöönottoa tutustu kaikkiin laturissa (1), akussa (2) ja akkukäyttöisessä tuotteessa (3) oleviin varoitusteksteihin.
2. Älä pura akkua.
3. Jos akun toiminta-aika lyhenee merkittävästi, lopeta akun käyttö. Seurauksena voi olla ylikuumeneminen, palovammoja tai jopa räjähdys.

4. Jos akkuneustettä pääsee silmiin, huuhtele puhtaalla vedellä ja hakeudu välittömästi lääkärin hoitoon. Akkuneuste voi aiheuttaa näön menetyksen.
5. Älä oikosulje akkua.
 - (1) Älä koske akun napoihin millään sähköä johtavalla materiaaalilla.
 - (2) Vältä akun oikosulkemista äläkä säilytä akkua yhdessä muiden metalliesineiden, kuten naulojen, kolikoiden ja niin edelleen kanssa.
 - (3) Älä aseta akkua alttiiksi vedelle tai sateelle. Oikosulku voi aiheuttaa virtapiikin, ylikuumentumista, palovammoja tai laitteen rikkoutumisen.
6. Älä säilytä työkalua ja akkua paikassa, jossa lämpötila voi nousta 50 °C:een tai sitäkin korkeammaksi.
7. Älä hävitä akkua polttamalla, vaikka se olisi pahoin vaurioitunut tai täysin loppuun kulunut. Avotuli voi aiheuttaa akun räjähtämisen.
8. Varo kolhimasta tai pudottamasta akkua.
9. Älä käytä viallista akkua.
10. Sisältyviä litium-ioni-akkuja koskevat vaarallisten aineiden lainsäädännön vaatimukset. Esimerkiksi kolmansien osapuolten huolintaliikkeiden tulee kaupallisissa kuljetuksissa noudattaa pakkaamista ja merkintöjä koskevia erityisvaatimuksia. Lähetettävän tuotteen valmistelu edellyttää vaarallisten aineiden asiantuntijan neuvontaa. Huomioi myös mahdollisesti yksityiskohtaisemmat kansalliset määräykset
Akun avoimet liittimet tulee suojata teipillä tai suojuksella ja pakkaaminen tulee tehdä niin, ettei akku voi liikkua pakkauksessa.
11. Hävitä akku paikallisten määräysten mukaisesti.
12. Käytä akkuja vain Makitan ilmoittamien tuotteiden kanssa. Akkujen asentaminen yhteensopimattomiin tuotteisiin voi aiheuttaa tulipalon, liiallisen ylikuumenemisen, räjähdyksen tai akkuneustevuotoja.

SÄILYTÄ NÄMÄ OHJEET.

HUOMIO: Käytä vain alkuperäisiä Makita-akkuja. Muiden kuin aitojen Makita-akkujen, tai mahdollisesti muutettujen akkujen käyttö voi johtaa akun murtumiseen ja aiheuttaa tulipaloja, henkilö- ja omaisuusvahinkoja. Se mitätöi myös Makita-työkalun ja -laturin Makita-takuun.

Vihjeitä akun käyttöiän pidentämiseksi

1. Lataa akku ennen kuin se purkautuu täysin. Lopeta aina työkalun käyttö ja lataa akku, jos huomaat työkalun tehon vähenevän.
2. Älä koskaan lataa uudestaan täysin ladattua akkua. Ylilataaminen lyhentää akun käyttöikä.
3. Lataa akku huoneen lämpötilassa välillä 10 °C - 40 °C. Anna kuuman akun jäähtyä ennen lataamista.
4. Lataa akkupaketti, jos et käytä sitä pitkään aikaan (yli kuusi kuukautta).

TOIMINTOJEN KUVAUS

⚠️HUOMIO:

- Varmista aina ennen säätöjä ja tarkastuksia, että työkalu on sammutettu ja akku irrotettu.

Akun asentaminen tai irrottaminen

► **Kuva1:** 1. Punainen ilmaisain 2. Painike 3. Akku

⚠️HUOMIO:

- Sammuta työkalu aina ennen akun kiinnittämistä tai irrottamista.
- Pidä työkalusta ja akusta tiukasti kiinni, kun irrotat tai kiinnität akkua.** Jos akku tai työkalu putoaa, ne voivat vaurioitua tai aiheuttaa loukkaantumisen.

Irrota akku painamalla akun etupuolella olevaa painiketta ja vetämällä akku ulos työkalusta. Kiinnitä akku sovitamalla akun kieleke rungon uraan ja työntämällä akku sitten paikoilleen. Työnnä akku pohjaan asti niin, että kuulet sen napsahavan paikoilleen. Jos painikkeen yläpuolella näkyy punainen ilmaisain, akku ei ole lukkiutunut täysin paikoilleen.

⚠️HUOMIO:

- Työnnä akku aina pohjaan asti, niin että punainen ilmaisain ei enää näy. Jos akku ei ole kunnolla paikallaan, se voi pudota työkalusta ja aiheuttaa vammoja joko käyttäjälle tai sivullisille.
- Älä käytä voimaa akun asennuksessa. Jos akku ei mene paikalleen helposti, se on väärässä asennossa.

Akun suojausjärjestelmä (tähtimerkinnällä merkitty litiumioniakku)

► **Kuva2:** 1. Tähtimerkintä

Tähtimerkinnällä merkityssä litiumioniakussa on suojausjärjestelmä. Tämä järjestelmä pidentää akun käyttöikää katkaisemalla automaattisesti virran työkaluun. Työkalu voi pysähtyä automaattisesti kesken käytön, jos työkalussa tai akussa ilmenee jokin seuraavista tilanteista:
















- Ylikuormitus:**
Työkalua käytetään tavalla, joka saa sen kuluttamaan epätavallisen paljon virtaa. Lopeta silloin ylikuormitustilan aiheuttanut käyttö. Käynnistä laite sitten uudelleen painamalla käynnistys- ja nopeudensäätöpainiketta. Jos työkalu ei käynnisty, akku on ylikuumentunut. Anna silloin akun jäähtyä, ennen kuin painat käynnistys- ja nopeudensäätöpainiketta.
- Alhainen akun jännite:**
Akun varaus ei riitä työkalun käyttämiseen. Irrota silloin akku ja lataa se.

Akun jäljellä olevan varaustason ilmaisin

Vain akkupaketeille ilmaisimella

► **Kuva3:** 1. Merkkivalot 2. Tarkistuspainike

Painamalla tarkistuspainiketta saat näkyviin akun jäljellä olevan varauksen. Merkkivalot palavat muutaman sekunnin ajan.

Merkkivalot			Akussa jäljellä olevan varaus
 Palaava	 Pois päältä	 Viikkua	
			75% - 100%
			50% - 75%
			25% - 50%
			0% - 25%
			Lataa akku.
			Akussa on saattanut olla toimintahäiriö.

HUOMAA: Ilmoitettu varaustaso voi erota hieman todellisesta varaustasosta sen mukaan, millaisissa oloissa ja missä lämpötilassa laitetta käytetään.

Kytkimen toiminta ja nopeudensäätöpainike

► **Kuva4:** 1. Pysäytyspainike 2. Käynnistys- ja nopeudensäätöpainike

Käynnistä työkalu painamalla käynnistys- ja nopeudensäätöpainiketta. Työkalu alkaa pyöriä nopeasti. Aina, kun käynnistys- ja nopeudensäätöpainiketta painetaan, nopeusvalinta muuttuu järjestyksessä nopea, keskinopea, hidas.

Pysäytä laite painamalla pysäytyspainiketta. Katsota taulukosta, mitä nopeusvalintaa kannattaa käyttää kuhunkin työhön.

Nopeusvalinta	Kierrosluku	Käyttö
Korkea	11 000	Tavallinen hionta
Keskitaso	9 500	Viimeistelyhionta
Pieni	7 000	Kiillotus

HUOMAA:

- Taulukossa näkyvät tavallisimmat käyttötarvikkeet. Niissä voi olla eroja tietyissä olosuhteissa.

KOKOONPANO

⚠️HUOMIO:

- Varmista aina ennen mitään työkalulle tehtäviä toimenpiteitä, että se on sammutettu ja akku irrotettu.

Hiontakiekon asentaminen

- **Kuva5:** 1. Tyyny 2. Hiomalaikka

Kun asennat hiontakiekon, poista ensin kaikki liika tai vieraat aineet hiontatyynystä. Kiinnitä sitten huomakiekko hiontatyyngyn. Varmista, että hiomakiekkossa olevat reiät tulevat hiontatyyngyn reikien kohdille.

Pölypussin asentaminen (lisävaruste)

- **Kuva6:** 1. Pölypussi

Asenna pölypussi työkaluun pussin suu eteenpäin.

Pölypussin tyhjentäminen

- **Kuva7:** 1. Pölysuutin

Kun pölypussi on noin puolillaan, sammut työkalu ja poista pölypussi työkalusta. Irrota sitten pölysuuttimen lukitus kiertämällä suutinta hieman vastapäivään ja poista pölysuutin pölypussista. Tyhjennä pölypussi napauttamalla sitä kevyesti.

- **Kuva8:** 1. Pölysuutin

Kun olet tyhjentänyt pölypussin, kiinnitä pölysuutin pölypussiin. Kierrä pölysuutinta hieman myötäpäivään sen paikalleen lukitsemiseksi. Kiinnitä sitten pölypussi työkaluun, "Pölypussin kiinnitys" osassa kuvatulla tavalla.

Paperisuodatinpussin kiinnittäminen (lisävaruste)

- **Kuva9:** 1. Pidike

Varmista, että pahvikielekkeen ja pölylokeron logot ovat samalla puolella ja asenna paperisuodatinpussi sitten paikalleen sovittamalla pahvikielekkeet pidikkeisiin.

- **Kuva10:** 1. Pölylokeron 2. Pölysuutin

Varmista, että pahvikielekkeen ja pölysuuttimen logot ovat samalla puolella ja kiinnitä pölysuutin sitten pölylokeroon.

Pölylokeron ja paperisuodatinpussin irrottaminen

- **Kuva11:** 1. Salpa 2. Pölysuutin

Irrota pölysuutin painalla salpoja.

- **Kuva12**

Irrota paperisuodatinpussi painamalla pahvikielekkeen logo-puolta ja vetämällä kielekettä alaspäin niin, että kieleke irtoaa pölylokeron pidikkeestä.

Helman irrotus ja asennus

⚠️HUOMIO: Älä käytä työkalua näissä ilman helmaa. Pöly voi muuten levitä ympäristöön.

- **Kuva13**

Voit valita jonkin 12 helman suunnasta tarpeen mukaan.

- **Kuva14:** 1. Reuna 2. Ruuvi

Jos haluat irrottaa helman, irrota ruuvi ja irrota helma avaamalla sitä hieman kummaltakin puolelta.

- **Kuva15:** 1. Reuna

Jos haluat asentaa helman takaisin, avaa sitä hieman kummaltakin puolelta ja asenna se paikalleen. Kiinnitä sitten ruuvi.

⚠️HUOMIO: Älä asenna helmaa muuhun kuin tarkoitettuun kulmaan. Työkalu voi vaurioitua.

TYÖSKENTELY

⚠️VAROITUS: Älä koskaan käynnistä konetta, kun se koskettaa työkalupaleeseen, koska tämä voi aiheuttaa käyttäjälle vammoja.

Hiomistoiminta

- **Kuva16**

⚠️HUOMIO:

- Älä koskaan käytä työkalua ilman hiomalaikkaa. Tyyny saattaa vaurioitua.
- Älä koskaan pakota työkalua. Liiallinen paine voi alentaa hiontatehoa, vaurioittaa hiomalaikkaa tai lyhentää työkalun käyttöikää.
- Jos työkalua käytetään tyynyn reunalla siten, että tyyny ottaa työkalupaleeseen, tyyny saattaa vaurioitua.

Ota koneesta luja ote. Käynnistä sitten työkalu ja odota, kunnes se saavuttaa täyden nopeuden. Aseta sitten työkalu hellävaroen työkalupaleen pinnalle. Pidä tyyny samassa tasossa työkalupaleen kanssa ja paina työkalua hieman.

⚠️HUOMIO: Hiomatyyngyn pyörii myötäpäivään kuormituksen aikana, mutta se saattaa pyöriä vastapäivään kuormattoman toiminnan aikana.

Kiillottaminen (lisävaruste)

⚠️HUOMIO:

- Käytä ainoastaan Makitan aitoa sienitynyä, vanutynyä tai lampaanvilla tyynyä (vaihtoehtoiset lisävarusteet).
- Käytä työkalua aina matalalla nopeudella, jota työstetyt pinnat eivät kuumenisi säännöttömästi.
- Älä koskaan pakota työkalua. Liiallinen paine voi alentaa hiontatehoa ja aiheuttaa moottorin ylikuumentumisen, näin aiheuttaen työkalun häiriön.

1. Vahan käyttö

► Kuva17: 1. Sienittyyny

Käytä vaihtoehtoisesti sienittyynyä. Käytä vahaa sienittyynyyn tai työkalupaleen pintaan. Aja työkalua matalalla nopeudella vahan tasoittamiseksi.

HUOMAA:

- Vahaa ensin vähemmän merkittävällä määrällä työkalupaleen pintaa varmistaaksesi, että työkalu ei naarmuta pintaa tai ettet saa tulokseksi epätasaista vahausta.
- Työkalu alkaa pyöriä nopeasti. Ole varovainen, kun käynnistät työkalun. Vaha voi roiskua. On suositeltavaa levittää vahaa työkalu pysäytettynä ennen työkalun käynnistämistä. Muuta nopeusvalintaa heti, kun työkalu käynnistyy.
- Käytä aina työkalua alhaisella nopeudella. Jos käytät sitä suuremmalla nopeudella, se saattaa aiheuttaa vahan roiskumisen.

2. Vahan poisto

► Kuva18: 1. Vanutyyny

Käytä vaihtoehtoisesti vanutyynyä. Aja työkalua matalalla nopeudella vahan poistamiseksi.

3. Kiillotus

► Kuva19: 1. Lampaanvillainen tyyny

Käytä vaihtoehtoisesti lampaanvilla tyynyä. Käytä työkalua alhaisella nopeudella ja käytä lampaanvilla tyynyä hellävarien työkalupaleen pintaan.

KUNNOSSAPITO

HUOMIO:

- Varmista aina ennen tarkastusta tai huoltoa, että työkalu on sammutettu ja akku irrotettu.
- Älä koskaan käytä bensiiniä, ojentimia, alkoholia tai tms. aineita. Muutoin pinta voi halkeilla tai sen värit ja muoto voivat muuttua.

Tuotteen TURVALLISUUDEN ja LUOTETTAVUUDEN säilyttämiseksi Makitan valtuutetun huoltokeskuksen tulee suorittaa korjaukset, hiiliharjojen tarkastus ja vaihto, sekä muut huolto- tai säätötyöt Makitan varaosia käyttäen.

LISÄVARUSTEET

HUOMIO:

- Näitä lisävarusteita ja -laitteita suositellaan käytettäväksi tässä ohjekirjassa mainitun Makitan koneen kanssa. Minkä tahansa muun lisävarusteen tai -laitteen käyttäminen voi aiheuttaa loukkaantumisaaran. Käytä lisävarusteita ja -laitteita vain niiden käyttötarkoituksen mukaisesti.

Jos tarvitset apua tai yksityiskohtaisempia tietoja seuraavista lisävarusteista, ota yhteys paikalliseen Makitan huoltoon.

- Koukku-ja-silmukka tyyppiset hiontalaikat (etukäteen lävistetyillä aukoilla)
- Koukku-ja-silmukka tyyppinen sienittyyny
- Koukku-ja-silmukka tyyppinen vanutyyny
- Koukku-ja-silmukka tyyppinen lampaanvilla tyyny
- Aito Makitan akku ja laturi
- Pölylokero
- Paperisuodatinpussi
- Pölypussi

HUOMAA:

- Jotkin luettelossa mainitut varusteet voivat sisältyä työkalun toimitukseen vakiovarusteina. Ne voivat vaihdella maittain.

SPECIFIKĀCIJAS

Modelis		DBO140	DBO180
Papīra izmērs		125 mm	
Apgrīzieni minūtē (min ⁻¹)	Mazs ātrums	7 000	
	Vidējs ātrums	9 500	
	Liels ātrums	11 000	
Gabarīti		175 mm x 123 mm x 153 mm	
Neto svars		1,3 - 1,6 kg	1,4 - 1,7 kg
Nominālais spriegums		Līdzstrāva 14,4 V	Līdzstrāva 18 V

- Nepārtrauktās izpētes un izstrādes programmas dēļ šeit uzrādītās specifikācijas var tikt mainītas bez brīdinājuma.
- Atkarībā no valsts specifikācijas var atšķirties.
- Svārs var būt atšķirīgs atkarībā no papildierīces(-ēm), tostarp akumulatora kasetnes. Tabulā ir attēlota vieglākā un smagākā kombinācija atbilstoši EPTA procedūrai 01/2014.

Piemērotā akumulatora kasetne un lādētājs

Akumulatora kasetne	14,4 V līdzstrāvas modelis	BL1415N / BL1430 / BL1430B / BL1440 / BL1450 / BL1460B
	18 V līdzstrāvas modelis	BL1815N / BL1820 / BL1820B / BL1830 / BL1830B / BL1840 / BL1840B / BL1850 / BL1850B / BL1860B
Lādētājs	DC18RC / DC18RD / DC18RE / DC18SD / DC18SE / DC18SF	

- Daži no iepriekš norādītajiem lādētājiem un akumulatora kasetnēm var nebūt pieejami atkarībā no jūsu mītnes reģiona.

▲BRĪDINĀJUMS: Izmantojiet vienīgi iepriekš norādītās akumulatora kasetnes un lādētājus. Cita tipa akumulatora kasetņu un lādētāju izmantošana var radīt traumu un/vai aizdegšanās risku.

Paredzētā lietošana

Šis darbarīks ir paredzēts lielu koka virsmu, plastmasas un metāla materiālu, kā arī krāsotu virsmu nolīdzināšanai.

Troksnis

Tipiskais A-svērtais trokšņa līmenis ir noteikts saskaņā ar EN62841:

Modelis DBO140

Skaņas spiediena līmenis (L_{pA}): 78 dB (A)

Neskaidrība (K): 3 dB (A)

Darbības laikā trokšņa līmenis var pārsniegt 80 dB (A).

Modelis DBO180

Skaņas spiediena līmenis (L_{pA}): 77 dB (A)

Neskaidrība (K): 3 dB (A)

Darbības laikā trokšņa līmenis var pārsniegt 80 dB (A).

Lietojiet ausu aizsargus

Vibrācija

Vibrācijas kopējā vērtība (trīs asu vektora summa) noteikta saskaņā ar EN62841:

Modelis DBO140

Darba režīms: metāla plāksne nolīdzināšanai

Vibrācijas emisija (a_{h1}): 2,5 m/s² vai mazāk

Neskaidrība (K): 1,5 m/s²

Modelis DBO180

Darba režīms: metāla plāksne nolīdzināšanai

Vibrācijas emisija (a_{h1}): 2,5 m/s² vai mazāk

Neskaidrība (K): 1,5 m/s²

PIEZĪME: Paziņotā vibrācijas emisijas vērtība noteikta atbilstoši standarta pārbaudes metodei un to var izmantot, lai salīdzinātu vienu darbarīku ar citu.

PIEZĪME: Paziņoto vibrācijas emisijas vērtību arī var izmantot iedarbības sākotnējā novērtējumā.

▲BRĪDINĀJUMS: Reāli lietojot mehānizēto darbarīku, vibrācijas emisija var atšķirties no paziņotās emisijas vērtības atkarībā no darbarīka izmantošanas veida.

▲BRĪDINĀJUMS: Lai aizsargātu lietotāju, nosakiet drošības pasākumus, kas pamatoti ar iedarbību reālos darba apstākļos (ņemot vērā visus ekspluatācijas cikla posmus, piemēram, laiku, kamēr darbarīks ir izslēgts un kad darbojas tukšgaitā, kā arī palaišanas laiku).

EK atbilstības deklarācija

Tikai Eiropas valstīm

EK atbilstības deklarācija šajā lietošanas rokasgrāmatā ir iekļauta kā A pielikums.

Vispārīgi elektrisko darbarīku drošības brīdinājumi

▲BRĪDINĀJUMS: Izlasiet visus drošības brīdinājumus, instrukcijas, apskatiet ilustrācijas un tehniskos datus, kas iekļauti mehānizētā darbarīka komplektācijā. Ja netiek ievēroti visi tālāk minētie noteikumi, var tikt izraisīta elektrotrauma, notikt aizdegšanās un/vai rasties smagas traumas.

Glabājiet visus brīdinājumus un norādījumus, lai varētu tajos ieskatīties turpmāk.

Termins „elektrisks darbarīks” brīdinājumus attiecas uz tādu elektrisko darbarīku, ko darbina ar elektrību (ar vadu), vai tādu, ko darbina ar akumulatoru (bez vada).

SLĪPMAŠĪNAS DROŠĪBAS BRĪDINĀJUMI

1. Vienmēr lietojiet aizsargbrilles. Parastās brilles vai saulesbrilles NAV aizsargbrilles.
2. Turiet darbarīku stingri.
3. Neatstājiet ieslēgtu darbarīku. Darbiniet darbarīku vienīgi tad, ja turat to rokās.
4. Šis darbarīks nav ūdensdrošs, tādēļ uz apstrādājamā materiāla virsmas neizmantojiet ūdeni.
5. Veicot slīpēšanas darbus, darba vietu atbilstoši vēdiniet.
6. Daži materiāli satur ķīmiskas vielas, kuras var būt toksiskas. Izvairieties no putekļu ieelpošanas un to nokļūšanas uz ādas. Ievērojiet materiāla piegādātāja drošības datus.
7. Izmantojot šo darbarīku, lai slīpētu noteikta veida izstrādājumus, krāsu un koku, var pakļaut operatoru putekļiem, kuru sastāvā ir bīstamas vielas. Izmantojiet elpošanas ceļu aizsardzību.
8. Pirms lietošanas pārbaudiet, vai starplika nav saplaisājusi vai saplīsumi. Plaisas vai plīsumi var izraisīt ievainojumus.

SAGLABĀJIET ŠOS NORĀDĪJUMUS.

▲BRĪDINĀJUMS: NEZAUDĒJIET modrību darbarīka lietošanas laikā (tas var gadīties pēc darbarīka daudzkārtējas izmantošanas), rūpīgi ievērojiet urbšanas drošības noteikumus šim izstrādājumam. NEPAREIZAS LIETOŠANAS vai šīs rokasgrāmatas drošības noteikumu neievērošanas gadījumā var gūt smagas traumas.

Svarīgi drošības norādījumi par akumulatora kasetni

1. Pirms akumulatora lietošanas izlasiet visus norādījumus un brīdinājumus, kuri attiecas uz (1) akumulatora lādētāju, (2) akumulatoru un (3) ierīci, kurā tiek izmantots akumulators.
2. Neizjauciet akumulatoru.
3. Ja akumulatora darbības laiks kļūva ievērojami īsāks, nekavējoties pārtrauciet to izmantot. Citādi, tas var izraisīt pārkarsējumu, uzliesmojumu vai pat sprādzienu.

4. Ja elektrolīts nonāk acīs, izskalojiet tās ar tīru ūdeni un nekavējoties griežieties pie ārsta. Tas var izraisīt redzes zaudēšanu.

5. Neradiet īssavienojumu akumulatora kasetnē:
 - (1) Nepieskarieties spailēm ar elektrību vadošiem materiāliem.
 - (2) Neuzglabājiet akumulatoru kasetni kopā ar citiem metāla priekšmetiem, tādiem kā naglas, monētas u. c.
 - (3) Nepakļaujiet akumulatora kasetni ūdenim vai lietus iedarbībai.

Akumulatora īssavienojums var radīt spēcīgu strāvas plūsmu, pārkaršanu, uzliesmojumu un pat sabojāt akumulatoru.

6. Neglabājiet darbarīku un akumulatora kasetni vietās, kur temperatūra var sasniegt vai pārsniegt 50 °C (122 °F).
7. Nededziniet akumulatora kasetni, pat ja tā ir stipri bojāta vai pilnībā nolietota. Akumulatora kasetne ugunī var eksplodēt.
8. Uzmanieties, lai nejautu akumulatoram nokrist un nepakļautu to sitienam.
9. Neizmantojiet bojātu akumulatoru.
10. Uz izmantotajiem litija jonu akumulatoriem attiecas likumdošanas prasības par bīstamiem izstrādājumiem. Komerciālā transportēšanā, ko veic, piemēram, trešās puses, transporta uzņēmumi, jāievēro uz iesaiņojuma un marķējuma norādītās īpašās prasības. Lai izstrādājumu sagatavotu nosūtīšanai, jāsazinās ar bīstamo materiālu speciālistu. Ievērojiet arī citus attiecināmos valsts normatīvus. Vajājums kontaktus nosedziet ar līmlenti vai citādi pārklājiet, bet akumulatoru iesaiņojiet tā, lai sainītas nevarētu izkustēties.
11. Ievērojiet vietējos noteikumus par akumulatora likvidēšanu.
12. Izmantojiet šos akumulatorus tikai ar izstrādājumiem, kurus norādījis Makita. Ievietojot šos akumulatorus nesaderīgos izstrādājumos, var rasties ugunsgrēks, pārmērīgs karstums, tie var uzsprāgt vai no tiem var izteciēt elektrolīts.

SAGLABĀJIET ŠOS NORĀDĪJUMUS.

▲UZMANĪBU: Lietojiet tikai oriģinālos Makita akumulatorus. Ja lietojat neoriģinālus Makita akumulatorus vai pārveidotus akumulatorus, tie var uzsprāgt un izraisīt aizdegšanos, traumas un materiālos zaudējumus. Tīks anulēta arī Makita darbarīka un lādētāja garantija.

Ieteikumi akumulatora kalpošanas laika pagarināšanai

1. Uzlādējiet akumulatora kasetni, pirms tā ir pilnībā izlādējusies. Vienmēr, kad ievērojāt, ka darbarīka darba jauda zudusi, apturiet darbarīku un uzlādējiet akumulatora kasetni.
2. Nekad neuzlādējiet pilnībā uzlādētu akumulatora kasetni. Pārmērīga uzlāde saīsina akumulatora kalpošanas laiku.
3. Uzlādējiet akumulatora kasetni istabas temperatūrā 10 °C - 40 °C. Karstai akumulatora kasetnei pirms uzlādes ļaujiet atdzist.
4. Uzlādējiet litija jonu akumulatora kasetni, ja to ilgstoši nelietosit (vairāk nekā sešus mēnešus).

FUNKCIJU APRAKSTS

⚠ UZMANĪBU:

- Pirms darbarīka regulēšanas vai tā darbības pārbaudes vienmēr pārliedzieties, ka darbarīks ir izslēgts un akumulatora kasetne ir izņemta.

Akumulatora kasetnes uzstādīšana un izņemšana

- **Att.1:** 1. Sarkans indikators 2. Poga 3. Akumulatora kasetne

⚠ UZMANĪBU:

- Vienmēr pirms akumulatora kasetnes uzstādīšanas vai noņemšanas izslēdziet darbarīku.
- **Uzstādot vai izņemot akumulatora kasetni, darbarīku un akumulatora kasetni turiet cieši.** Ja darbarīku un akumulatora kasetni netur cieši, tie var izkrist no rokām un radīt bojājumus darbarīkam un akumulatora kasetnei, kā arī izraisīt ievainojumus.

Lai izņemtu akumulatora kasetni, izvelciet to no darbarīka, pārīdot kasetnes priekšpusē esošo pogu. Lai uzstādītu akumulatora kasetni, salāgojiet mēlīti uz akumulatora kasetnes ar rievu ietvarā un iebīdīd to vietā. Bīdīd to iekšā līdz klikšķim, kas nozīmē, ka tā ir pareizi uzstādīta. Ja pogas augšējā daļā ir redzams sarkans indikators, tas nozīmē, ka tā nav pilnīgi bloķēta.

⚠ UZMANĪBU:

- Vienmēr ievietojiet akumulatora kasetni tā, lai sarkanais indikators nebūtu redzams. Pretējā gadījumā tā var nejauši izkrist no darbarīka un radīt jums vai apkārtējiem ievainojumu.
- Neievietojiet akumulatora kasetni ar spēku. Ja kasetne neslīd ietvarā viegli, tā nav pareizi ielikta.

Akumulatora aizsardzības sistēma (litija jonu akumulators ar zvaigznes emblēmu)

- **Att.2:** 1. Zvaigznes emblēma

Litija jonu akumulatori ar zvaigznes emblēmu ir aprīkoti ar aizsardzības sistēmu. Šī sistēma automātiski izslēdz jaudas padevi darbarīkam, lai pagarinātu akumulatora kalpošanas laiku.

Darbarīks automātiski pārstās darboties ekspluatācijas laikā, ja darbarīku un/vai akumulatoru pakļaus kādam no šiem apstākļiem:











- Pārslodze:
Darbarīku ekspluatācijas laikā lieto tādā veidā, ka tas saista pārmērīgu strāvu. Šādā gadījumā pārtrauciet darbību, kas izraisīja darbarīka pārslodzi. Pēc tam vēlreiz nospiediet starta/ ātruma regulēšanas pogu, lai atsāktu darbu. Ja darbarīks nesāk darboties, akumulators ir pārkaršis. Šādā gadījumā ļaujiet akumulatoram atdzist, pirms nospiež starta/ ātruma regulēšanas pogu.
- Zema akumulatora jauda:
Akumulatora atlikusī jauda ir pārāk zema, un darbarīks nedarbosies. Šādā gadījumā akumulatoru noņemiet un veiciet tam uzlādi.

Atlikušās akumulatora jaudas indikators

Tikai akumulatora kasetnēm ar indikatoru

- **Att.3:** 1. Indikatora lampas 2. Pārbaudes poga

Nospiediet akumulatora kasetnes pārbaudes pogu, lai pārbaudītu akumulatora atlikušo uzlādes līmeni. Indikatoru iedegsies uz dažām sekundēm.

Indikatora lampas			Atlikusī jauda
 Iededzies	 Izslēgts	 Mirgo	
			No 75% līdz 100%
			No 50% līdz 75%
			No 25% līdz 50%
			No 0% līdz 25%
			Uzlādējiet akumulatoru.
			Iespējama akumulatora kļūme.
			

PIEZĪME: Reālā jauda var nedaudz atšķirties no norādītās atkarībā no lietošanas apstākļiem un apkārtējās temperatūras.

Slēdža darbība un ātruma regulēšanas poga

- **Att.4:** 1. Apturēšanas poga 2. Starta/ ātruma regulēšanas poga

Lai iedarbinātu darbarīku, nospiediet starta/ ātruma regulēšanas pogu. Darbarīku iedarbinot, ir ieslēgts liela ātruma režīms. Katru reizi nospiežot starta/ ātruma regulēšanas pogu, ātruma režīms mainās šādi: liels ātrums, vidējs ātrums un mazs ātrums.

Lai apturētu darbarīku, nospiediet apturēšanas pogu. Tabulā skatiet ātruma režīma un darba veida attiecību.

Ātruma režīms	Apgriezienu skaits	Lietošana
Liels ātrums	11 000	Parasta slīpēšana
Vidējs	9 500	Apdares slīpēšana
Mazs ātrums	7 000	Pulēšana

PIEZĪME:

- Tabulā redzami standarta darba veidi. Noteiktos apstākļos tie var atšķirties.

MONTĀŽA

⚠️ UZMANĪBU:

- Pirms darbarīka regulēšanas vai apkopes vienmēr pārlicinieties, ka darbarīks ir izslēgts un akumulatora kasetne ir izņemta.

Abrazīvās ripas uzstādīšana

► **Att.5:** 1. Starplika 2. Abrazīva ripa

Lai uzstādītu abrazīvo ripu, vispirms no paliktņa noņiriet visus netīrumus un svešķermeņus. Pēc tam piestipriniet abrazīvo ripu pie paliktņa. Uzmanīgi savietojiet abrazīvās ripas caurumus ar caurumiem uz paliktņa.

Putekļu maisa (papildpiederums) uzstādīšana

► **Att.6:** 1. Putekļu maiss

Putekļu maisu uzstādiat uz darbarīka ar tā atveri uz leju.

Putekļu maisa iztukšošana

► **Att.7:** 1. Putekļsūcēja uzgalis

Kad putekļu maiss ir apmēram līdz pusei piepildīts, izslēdziet darbarīku un izņemiet putekļu maisu no darbarīka. Kad putekļu sprausla ir atvienota, noņemiet to nost no putekļu maisa, mazliet pagriežot pretēji pulksteņrādītāja virzienam. Iztukšojiet putekļu maisu, viegli pa to pasītot.

► **Att.8:** 1. Putekļsūcēja uzgalis

Pēc maisa iztukšošanas uzstādiat uz tā putekļu sprauslu. Viegli pagriežiet putekļu sprauslu pulksteņrādītāja virzienā, lai nostiprinātu tai paredzētajā vietā. Tad uzstādiat putekļu maisu uz darbarīka, kā aprakstīts sadaļā "Putekļu maisa uzstādīšana".

Papīra filtra maisa uzstādīšana (papildpiederums)

► **Att.9:** 1. Nostiprināšanas ķepiņa

Pārlicinieties, ka logotips uz kartona malas un logotips uz putekļu ieliktna ir vienā pusē, tad uzstādiat papīra filtra maisu, ievietojot kartona malu katras nostiprināšanas ķepiņas rievā.

► **Att.10:** 1. Putekļu ieliktnis 2. Putekļsūcēja uzgalis

Pārlicinieties, ka logotips uz kartona malas un logotips uz putekļu sprauslas ir vienā pusē, tad uzstādiat putekļu sprauslu uz putekļu ieliktna.

Putekļu ieliktna un papīra filtra maisa noņemšana

► **Att.11:** 1. Aizturis 2. Putekļsūcēja uzgalis

Noņemiet putekļu sprauslu, piespiežot abas slēgsviras.

► **Att.12**

Vispirms izņemiet papīra filtra maisu, saspiežot tā kartona malas pusi ar logotipu, tad pavelkot kartona malu uz leju, lai izbīdītu to no putekļu ieliktna nostiprināšanas ķepiņas.

Pārklāja noņemšana un uzstādīšana

⚠️ UZMANĪBU: Nelietojiet darbarīku bez pārklāja. Citādi visur izbirs putekļi.

► **Att.13**

Pārklājam iespējams izvēlēties vienu no 12 virzieniem atbilstīgi darba vajadzībām.

► **Att.14:** 1. Maisa apakšējā mala 2. Skrūve

Lai noņemtu pārklāju, atskrūvējiet skrūvi un izņemiet pārklāju, nedaudz atverot no abām pusēm.

► **Att.15:** 1. Maisa apakšējā mala

Lai pārklāju uzliktu atpakaļ, to uzstādiat, nedaudz atverot no abām pusēm. Pieskrūvējiet skrūvi.

⚠️ UZMANĪBU: Neuzstādiat pārklāju citā leņķī nekā paredzēts. Citādi var sabojāt darbarīku.

EKSPLUATĀCIJA

⚠️ BRĪDINĀJUMS: Nekad neieslēdziet darbarīku, kamēr tas pieskaras apstrādājamai virsmai, jo tas var novest pie traumas gūšanas.

Slīpēšana

► **Att.16**

⚠️ UZMANĪBU:

- Nekad nedarbiniet darbarīku bez abrazīvās ripas. Jūs varat nopietni sabojāt starpliku.
- Nekādā gadījumā nelietojiet darbarīku ar spēku. Pārmērīgs spiediens var samazināt slīpēšanas efektivitāti, sabojāt abrazīvo ripu vai saīsinot darbarīka ekspluatācijas laiku.
- Izmantojot instrumentu ar starplikas malu saskarē, apstrādājamā daļa var bojāt starpliku.

Darbarīku turiet cieši. Ieslēdziet darbarīku un nogaidiet, kamēr tas darbojas ar pilnu jaudu. Pēc tam uzmanīgi novietojiet darbarīku uz apstrādājamās virsmas. Turiet paliktņi vienā līmenī ar apstrādājamo materiālu un nedaudz piespiediet darbarīku.

⚠️ UZMANĪBU: Slodzes darbības laikā slīpēšanas paliktņi griežas pulksteņrādītāja virzienā, bet darbības laikā bez slodzes tas var griezties pretēji pulksteņrādītāja virzienam.

Pulēšanas darbība (papildu)

⚠️ UZMANĪBU:

- Lietojiet tikai Makita ražoto sūkļa, filca vai vilnas paliktņi (papildpiederums).
- Vienmēr ekspluatējiet darbarīku ar mazu ātrumu, lai nepieļautu pārmērīgu darba virsmas sakaršanu.
- Nekādā gadījumā nelietojiet darbarīku ar spēku. Pārmērīgs spiediens var samazināt pulēšanas efektivitāti un radīt dzinējam pārslodzi, tādējādi sabojājot darbarīku.

1. Ieziešana ar vasku

► Att.17: 1. Sūkļa paliktņis

Lietojiet papildpiederumu - sūkļa paliktņi. Ieziediet ar vasku sūkļa paliktņi vai darba virsmu. Darbiniet darbarīku ar lēnu ātrumu, lai izlīdzinātu vasku.

PIEZĪME:

- Vispirms ieziediet ar vasku ekspluatācijai nenozīmīgu darba virsmas daļu, lai pārbaudītu, vai darbarīks nesaskrāpēs virsmu un vai tā būs ievaskota vienmērīgi.
- Darbarīku iedarbinot, ir ieslēgts liela ātruma režīms. Uzmanieties iedarbinot darbarīku. Var izšakstīties vasks. Vasku ieteicams uzziest, kad darbarīks ir apturēts pirms tā iedarbināšanas. Uzreiz pēc darbarīka iedarbināšanas ātruma režīmu iestatiet zemā ātrumā.
- Vienmēr darbiniet darbarīku ar lēnu ātrumu. Ja darbināsiet darbarīku ar lielu ātrumu, vasks var izšķīsties.

2. Vaska notīrīšana

► Att.18: 1. Filca paliktņis

Lietojiet papildpiederumu - filca paliktņi. Darbiniet darbarīku ar lēnu ātrumu, lai notīrītu vasku.

3. Pulēšana

► Att.19: 1. Vilnas paliktņis

Lietojiet papildpiederumu - vilnas paliktņi. Darbiniet darbarīku ar lēnu ātrumu un uzmanīgi uzlieciet vilnas paliktņi uz darba virsmas.

APKOPE

UZMANĪBU:

- Pirms darbarīka pārbaudes vai apkopes vienmēr pārliecinieties, ka darbarīks ir izslēgts un akumulatora kasetne ir izņemta.
- Nekad neizmantojiet gāzoliņu, benzīnu, atšķaidītāju, spirtu vai līdzīgus šķīdumus. Tas var radīt izbalēšanu, deformāciju vai plaisas.

Lai uzturētu izstrādājuma DROŠĪBU un UZTICAMU darbību, remonts, oglekļa suku pārbaude un maiņa, jebkāda cita apkope vai regulēšana jāveic Makita pilnvarotiem apkopes centriem, vienmēr izmantojot Makita rezerves daļas.

PAPILDU PIEDERUMI

UZMANĪBU:

- Šādi piederumi un rīki tiek ieteikti lietošanai ar šajā pamācībā aprakstīto Makita instrumentu. Jebkādu citu piederumu un rīku izmantošana var radīt traumu briesmas. Piederumu vai rīku izmantojiet tikai tā paredzētajam mērķim.

Ja jums vajadzīga palīdzība vai precīzāka informācija par šiem piederumiem, vērsieties savā tuvākajā Makita apkopes centrā.

- Liplentes stiprinājuma veida abrazīvais papīrs (ar iepriekš izdurtiem caurumiem)
- Liplentes stiprinājuma veida sūkļa paliktņis
- Liplentes stiprinājuma veida filca paliktņis
- Liplentes stiprinājuma veida vilnas paliktņis
- Makita oriģinālais akumulators un lādētājs
- Putekļu ieliktnis
- Papīra filtra maiss
- Putekļu maiss

PIEZĪME:

- Daži sarakstā norādītie izstrādājumi var būt iekļauti instrumenta komplektācijā kā standartā piederumi. Tie dažādās valstīs var būt atšķirīgi.

SPECIFIKACIJOS

Modelis	DBO140	DBO180
Popieriaus dydis	125 mm	
Apsisukimai per minutę (min ⁻¹)	Mažas greitis	7 000
	Vidutinis greitis	9 500
	Didelis greitis	11 000
Matmenys	175 mm x 123 mm x 153 mm	
Neto svoris	1,3 - 1,6 kg	1,4 - 1,7 kg
nominali įtampa	Nuol. sr. 14,4 V	Nuol. sr. 18 V

- Atliekame tęstinius tyrimus ir nuolatos tobuliname savo gaminius, todėl čia pateikiamos specifikacijos gali būti keičiamos be įspėjimo.
- Skirtingose šalyse specifikacijos gali skirtis.
- Svoris gali priklausyti nuo priedo (-ų), įskaitant akumulatoriaus kasetę. Lengviausias ir sunkiausias deriniai pagal EPTA 2014 m. sausio mėn. procedūrą yra parodyti lentelėje.

Tinkama akumulatoriaus kasetė ir (arba) įkroviklis

Akumulatoriaus kasetė	Nuol. sr. 14,4 V modelis	BL1415N / BL1430 / BL1430B / BL1440 / BL1450 / BL1460B
	Nuol. sr. 18 V modelis	BL1815N / BL1820 / BL1820B / BL1830 / BL1830B / BL1840 / BL1840B / BL1850 / BL1850B / BL1860B
Įkroviklis	DC18RC / DC18RD / DC18RE / DC18SD / DC18SE / DC18SF	

- Atsižvelgiant į gyvenamosios vietos regioną, kai kurios pirmiau nurodytos akumulatoriaus kasetės ir įkrovikliai gali būti neprieinami.

⚠️ ĮSPĖJIMAS: Naudokite tik akumulatoriaus kasetes ir įkroviklius, kurie nurodyti anksčiau. Naudojant bet kurias kitas akumulatoriaus kasetes ir įkroviklius, gali kilti sužeidimo ir gaisro pavojus.

Paskirtis

Šis įrankis skirtas didelio paviršiaus ploto medienai, plastmasei ir metalinėms medžiagoms, taip pat dažytiems paviršiams šlifuoti.

Triukšmas

Tipiškas A svertinis triukšmo lygis nustatytas pagal EN62841:

Modelis DBO140

Garso slėgio lygis (L_{PA}): 78 dB (A)

Paklaida (K): 3 dB (A)

Dirbant triukšmo lygis gali viršyti 80 dB (A).

Modelis DBO180

Garso slėgio lygis (L_{PA}): 77 dB (A)

Paklaida (K): 3 dB (A)

Dirbant triukšmo lygis gali viršyti 80 dB (A).

Dėvėkite ausų apsaugas

Vibracija

Vibracijos bendroji vertė (trijų ašių vektorinė suma) nustatyta pagal EN62841:

Modelis DBO140

Darbo režimas: metalo plokštės šlifavimas

Vibracijos emisija (a_h): 2,5 m/s² arba mažiau

Paklaida (K): 1,5 m/s²

Modelis DBO180

Darbo režimas: metalo plokštės šlifavimas

Vibracijos emisija (a_h): 2,5 m/s² arba mažiau

Paklaida (K): 1,5 m/s²

PASTABA: Paskelbtasis vibracijos emisijos dydis nustatytas pagal standartinį testavimo metodą ir jį galima naudoti vienam įrankiui palyginti su kitu.

PASTABA: Paskelbtasis vibracijos emisijos dydis taip pat gali būti naudojamas preliminariai įvertinti vibracijos poveikį.

⚠️ ĮSPĖJIMAS: Faktiškai naudojant elektrinį įrankį, keliamos vibracijos dydis gali skirtis nuo paskelbtojo dydžio, priklausomai nuo būdų, kuriais yra naudojamas šis įrankis.

⚠️ ĮSPĖJIMAS: Siekiant apsaugoti operatorių, būtina įvertinkite saugos priemones, remdamiesi vibracijos poveikio įvertinimu esant faktinėms naudojimo sąlygoms (atsižvelgdami į visas darbo ciklo dalis, pavyzdžiui, ne tik kiek laiko įrankis veikia, bet ir kiek kartų jis yra išjungiamas bei kai jis veikia be apkravų).

EB atitikties deklaracija

Tik Europos šalims

EB atitikties deklaracija yra pridedama kaip šio instrukcijų vadovo A priedas.

Bendrieji įspėjimai dirbant elektriniais įrankiais

⚠️ ĮSPĖJIMAS: Perskaitykite visus saugos įspėjimus, instrukcijas, iliustracijas ir techninius duomenis, pateiktus kartu su šiuo elektriniu įrankiu. Nesilaikant visų toliau išvardytų instrukcijų galima patirti elektros smūgį, gali kilti gaisras ir (arba) galima sunkiai susižaloti.

Išsaugokite visus įspėjimus ir instrukcijas, kad galėtumėte jas peržiūrėti ateityje.

Terminas „elektrinis įrankis“ pateiktuose įspėjimuose reiškia į maitinimo tinklą jungiamą (laidinį) elektrinį įrankį arba akumuliatoriaus maitinamą (belaidį) elektrinį įrankį.

SAUGOS ĮSPĖJIMAI DĖL ŠLIFUOKLIO NAUDOJIMO

1. Būtinai naudokite apsauginius akinius. Įprastiniai akiniai ar akiniai nuo saulės NĖRA apsauginiai akiniai.
2. Tvirtai laikykite įrankį.
3. Nepalikite veikiančio įrankio. Naudokite įrankį tik laikydami rankomis.
4. Šis įrankis nėra atsparus vandeniui, todėl nenaudokite vandens ant ruošinio paviršiaus.
5. Atlikdami šlifavimo darbus, tinkamai vėdinkite darbo patalpą.
6. Kai kuriose medžiagose esama cheminių medžiagų, kurios gali būti nuodingos. Saugokitės, kad neįkvėptumėte dulkių ir nesiliestumėte oda. Laikykites medžiagų tiekėjo saugos duomenimis.
7. Naudojant šį įrankį tam tikrų gaminių, dažų ir medžio šlifavimui, operatoriui gali kelti pavojų dulksės, kuriose yra pavojingų medžiagų. Naudokite tinkamas kvėpavimo takų apsauginės priemonės.
8. Prieš naudodami patikrinkite, ar diskas nėra įskilęs ar sulūžęs. Įskilimai ir lūžimai gali sužeisti.

SAUGOKITE ŠIAS INSTRUKCIJAS.

⚠️ ĮSPĖJIMAS: NELEISKITE, kad patogumas ir gaminio pažinimas (įgyjamas pakartotinai naudojant) susilpnintų griežtą saugos taisyklių, taikytinų šiam gaminiui, laikymąsi. DĖL NETINKAMO NAUDOJIMO arba saugos taisyklių nesilaikymo, kurios pateiktos šioje instrukcijoje galima rimtai susižeisti.

Svarbios saugos instrukcijos, taikomos akumuliatoriaus kasetei

1. Prieš naudodami akumuliatoriaus kasetę, perskaitykite visas instrukcijas ir perspėjimus ant (1) akumuliatorių įkroviklio, (2) akumuliatorių ir (3) akumuliatorių naudojančio gaminio.
2. Neardykite akumuliatoriaus kasetės.

3. Jei įrankio darbo laikas žymiai sutrumpėjo, nedelsdami nutraukite darbą su įrankiu. Tai gali kelti perkaitimą, nudegimų ar net sprogimo pavojų.
4. Jei elektrolitas pateko į akis, plaukite jas tyru vandeniu ir nedelsdami kreipkitės į gydytoją. Gali kilti regėjimo praradimo pavojus.
5. Neužtrumpinkite akumuliatoriaus kasetės:
 - (1) Nelieskite kontaktų degiomis medžiagomis.
 - (2) Venkite laikyti akumuliatoriaus kasetę kartu su kitais metaliniais daiktais, pavyzdžiui, vinimis, metenomis ir pan.
 - (3) Saugokite akumuliatoriaus kasetę nuo vandens ir lietaus.Trumpasis jungimas akumuliatoriuje gali sukelti stiprią srovę, perkaitimą, galimus nudegimus ar net akumuliatoriaus gedimą.
6. Nelaikykite įrankio ir akumuliatoriaus kasetės vietoje, kur temperatūra gali pasiekti ar viršyti 50 °C.
7. Nedeginkite akumuliatoriaus kasetės, net jei yra stipriai pažeista ar visiškai susidėvėjusi. Ugnyje akumuliatoriaus kasetė gali sprogti.
8. Saugokite akumuliatorių nuo kritimo ir smūgių.
9. Nenaudokite pažeisto akumuliatoriaus.
10. Įdėtoms ličio jonų akumuliatoriams taikomi Pavojingų prekių teisės akto reikalavimai. Komercinis transportas, pvz., trečiųjų šalių, prekių vežimo atstovų, turi laikytis specialaus reikalavimo ant pakuotės ir ženklavimo. Norėdami paruošti siūstiną prekę, pasitarkite su pavojingų medžiagų specialistu. Be to, laikykitės galimai išsamesnių nacionalinių reglamentų. Užklijuokite juosta arba padenkite atvirus kontaktus ir supakuokite akumuliatorių taip, kad jį pakuotėje nejudėtų.
11. Vadovaukitės vietos įstatymais dėl akumuliatorių išmetimo.
12. Baterijas naudokite tik su „Makita“ nurodytais gaminiais. Baterijas įdėjus į netinkamus gaminius gali kilti gaisras, gaminyje pernelyg kaisti, kilti sprogimas arba pratekėti elektrolitas.

SAUGOKITE ŠIAS INSTRUKCIJAS.

⚠️ PERSPĖJIMAS: Naudokite tik originalų „Makita“ akumuliatorių. Neoriginalaus „Makita“ arba pakeisto akumuliatoriaus naudojimas gali nulemti gaisrą, asmens sužalojimą ir pažeidimą. Tai taip pat panaikina „Makita“ suteikiamą „Makita“ įrankio ir įkroviklio garantiją.

Patarimai, ką daryti, kad akumuliatorius veiktų kuo ilgiau

1. Pakraukite akumuliatoriaus kasetę prieš ją visiškai išsikraunant. Visuomet nustokite naudoti įrankį ir pakraukite akumuliatoriaus kasetę, kai pastebite, kad įrankio galia sumažėjo.
2. Niekada nekraukite iki galo įkrautos akumuliatoriaus kasetės. Perkraunant trumpėja akumuliatoriaus eksploatacijos laikas.
3. Akumuliatoriaus kasetę kraukite esant kambario temperatūrai 10 - 40 °C. Prieš pradėdami krauti, leiskite įkaitusiai akumuliatoriaus kasetei atvėsti.
4. Įkraukite akumuliatoriaus kasetę, jei jos nenaudojate ilgą laiką (ilgiau nei šešis mėnesius).

VEIKIMO APRAŠYMAS

⚠ PERSPĖJIMAS:

- Prieš reguliuodami įrenginį arba tikrindami jo veikimą visada patikrinkite, ar įrenginys išjungtas, o akumuliatorių kasetė - nuimta.

Akumuliatoriaus kasetės uždėjimas ir nuėmimas

- ▶ **Pav.1:** 1. Raudonas indikatorius 2. Mygtukas 3. Akumuliatoriaus kasetė

⚠ PERSPĖJIMAS:

- Prieš įdėdami arba išimdami akumuliatoriaus kasetę, visada išjunkite įrankį.
- Įdėdami arba išimdami akumuliatoriaus kasetę, tvirtai laikykite įrankį ir akumuliatoriaus kasetę. Jeigu įrankį ir akumuliatoriaus kasetę laikysite netvirtai, jie gali išskysti iš jūsų rankų ir sąlygoti įrankio bei akumuliatoriaus kasetės gedimą ir vartotojo sužalojimą.

Jei norite išimti akumuliatoriaus kasetę, ištraukite ją iš įrankio, stumdami mygtuką, esantį kasetės priekyje. Jeigu norite įdėti akumuliatoriaus kasetę, sutapdinkite liežuvėlį ant akumuliatoriaus kasetės su grioveliu korpuso ir įstumkite į skirtą vietą. Įdėkite iki galo, kol spragtelėdama užsifiksuos. Jeigu matote raudoną indikatorius viršutinėje mygtuko pusėje, ji nėra visiškai užfiksuota.

⚠ PERSPĖJIMAS:

- Akumuliatoriaus kasetę visada įkiškite iki galo, kol nebematysite raudono indikatoriaus. Priešingu atveju ji gali atsitiktinai iškristi iš įrankio, sužeisti jus ar aplinkinius.
- Nekiškite akumuliatoriaus kasetės jėga. Jeigu kasetė sunkiai lenda, ji kišama netinkamai.

Akumuliatoriaus apsaugos sistema (ličio jonų akumuliatorius su žvaigždutės ženklu)

- ▶ **Pav.2:** 1. Žvaigždutės ženklas

Ličio jonų akumuliatoriuose su žvaigždutės ženklu būna įrengta apsaugos sistema. Ši sistema automatiškai atjungia įrankio maitinimą, kad akumuliatorius tarnautų ilgiau. Įrankis automatiškai išjungs darbo metu, esant vienai iš šių įrankio ir (arba) akumuliatorius darbo sąlygai:

- Perkrautas: Įrankis naudojamas taip, kad jame neįprastai padidėja elektros srovė. Tokiu atveju nutraukite darbą, dėl kurio kilo įrankio perkrova. Tuomet dar kartą paspauskite paleidimo/greičio reguliavimo mygtuką, kad vėl paleistumėte įrankį. Jeigu įrankis neįsijungia, reiškia perkrautas akumuliatorius. Tokiu atveju palaukite, kol akumuliatorius atvės, tada paspauskite paleidimo/greičio reguliavimo mygtuką.
- Žema akumuliatoriaus įtampa: Likusi akumuliatoriaus energija per mažą ir įrankis negali veikti. Tokiu atveju išimkite akumuliatorių ir įkraukite jį.

Likusios akumuliatoriaus galios rodymas

Tik akumuliatoriaus kasetėms su indikatoriumi

- ▶ **Pav.3:** 1. Indikatorijų lemputės 2. Tikrinimo mygtukas

Paspauskite akumuliatoriaus kasetės tikrinimo mygtuką, kad būtų rodoma likusi akumuliatoriaus energija. Maždaug trims sekundėms užsidegs indikatorijų lemputės.

Indikatorijų lemputės			Likusi galia
Šviečia	Nešviečia	Blyksi	
■ ■ ■ ■	□ □ □ □	▬ ▬ ▬ ▬	75 - 100 %
■ ■ ■ □	□ □ □ □	▬ ▬ ▬ ▬	50 - 75 %
■ ■ □ □	□ □ □ □	▬ ▬ ▬ ▬	25 - 50 %
■ □ □ □	□ □ □ □	▬ ▬ ▬ ▬	0 - 25 %
▬ □ □ □	□ □ □ □	▬ ▬ ▬ ▬	Įkraukite akumuliatorių.
■ ■ □ □	□ □ □ □	▬ ▬ ▬ ▬	Galimai įvyko akumuliatoriaus veikimo triktis.
□ □ □ □	■ ■ ■ ■	▬ ▬ ▬ ▬	

PASTABA: Rodmuo gali šiek tiek skirtis nuo faktinės energijos lygio – tai priklauso nuo naudojimo sąlygų ir aplinkos temperatūros.

Veikimo perjungimo ir greičio reguliavimo mygtukas

- ▶ **Pav.4:** 1. Sustabdymo mygtukas 2. Paleidimo/greičio reguliavimo mygtukas

Norėdami įjungti įrankį, paspauskite paleidimo/greičio reguliavimo mygtuką. Įrankis pradeda veikti didelio greičio režimu. Kiekvieną kartą paspaudus paleidimo/greičio reguliavimo mygtuką, greičio režimas keičiamas tokia tvarka: didelio greičio režimas, vidutinio greičio režimas ir mažas greitis.

Norėdami įrankį sustabdyti, paspauskite sustabdymo mygtuką.

Žr. lentelę, kurioje nurodyta, kokiam darbui tinkami skirtingi greičio režimai.

Greičio režimas	Sūkių skaičius	Naudojimas
Aukštas	11 000	Įprastas šlifavimas
Vidutinis	9 500	Smulkus šlifavimas
Žemas	7 000	Poliravimas

PASTABA:

- Lentelėje nurodyti standartiniai darbai. Esant tam tikroms aplinkybėms, jie gali būti kitokie.

SURINKIMAS

⚠️ PERSPĖJIMAS:

- Prieš darydami ką nors įrankiu visada patikrinkite, ar įrenginys išjungtas, o akumuliatorių kasetė - nuimta.

Šlifavimo disko montavimas

- **Pav.5:** 1. Kilimėlis 2. Šlifavimo diskas

Norėdami uždėti šlifuojamąjį diską, pirmiausia nuo pado nuvalykite visą purvą arba pašalines medžiagas. Tada pritvirtinkite šlifavimo diską prie pado. Būtinai sutapdininkite šlifavimo disko ir pado skyles.

Dulkių maišelio (papildomo priedo) montavimas

- **Pav.6:** 1. Dulkių maišelis

Uždėkite dulkių maišelį ant įrankio, jo angą nukreipę žemyn.

Dulkių maišelio iškratymas

- **Pav.7:** 1. Dulkių surenkamasis antgalis

Kai dulkių maišelis pripildomas maždaug iki pusės, išjunkite įrankį ir nuimkite dulkių maišelį nuo įrankio. Tada, atlaisvinę dulkių siurbimo antgalį nuo dulkių maišelio, nuimkite jį, truputį pasukdami prieš laikrodžio rodyklę. Atsargiai paplekšnodami iškratykite dulkių maišelį.

- **Pav.8:** 1. Dulkių surenkamasis antgalis

Iškratę maišelį, įtaisykite dulkių siurbimo antgalį į dulkių maišelį. Dulkių siurbimo antgalį truputį pasukite pagal laikrodžio rodyklę, kad užsifiksuotų. Tada pritaisykite dulkių maišelį prie įrankio, kaip aprašyta skyriuje „Dulkių maišelio uždėjimas“.

Popierinio filtro maišelio (pasirenkamas priedas) uždėjimas

- **Pav.9:** 1. Laikymo skydelis

Įsitinkinkite, kad emblema ant kartono plokštės briaunos ir emblema ant dulkių maišelio yra toje pačioje pusėje, o tada įmontuokite popierinį filtro maišelį įstatydami kartono plokštės briauną į laikymo skydelio griovelį.

- **Pav.10:** 1. Dulkių dėžė 2. Dulkių surenkamasis antgalis

Įsitinkinkite, kad emblema ant kartono plokštės briaunos ir emblema ant dulkių antgalio yra toje pačioje pusėje. Tada uždėkite dulkių antgalį ant dulkių maišelio.

Dulkių maišelio ir popierinio filtro maišelio nuėmimas

- **Pav.11:** 1. Fiksatorius 2. Dulkių surenkamasis antgalis

Nuimkite dulkių antgalį paspausdami dvi svirtes

- **Pav.12**

Nuimkite popierinį filtro maišelį pirmiausiai paspausdami jo kartono plokštės briaunos pusę su emblema, o tada patraukdami kartono plokštės briauną žemyn, kad ištrauktumėte ją iš dulkių maišelio laikymo skydelio.

Apsauginio gaubto nuėmimas ir uždėjimas

⚠️ PERSPĖJIMAS: Nenaudokite įrankio be apsauginio gaubto. Antraip visur pasklis dulės.

- **Pav.13**

Galite pasirinkti vieną iš 12 apsauginio gaubto nustatymo krypčių, atsižvelgdami į naudojimo paskirtį.

- **Pav.14:** 1. Apsauginis gaubtas 2. Varžtas

Norėdami nuimti apsauginį gaubtą, atsukite ir nuimkite apsauginį gaubtą, šiek tiek praverdami jį abejuose šonuose.

- **Pav.15:** 1. Apsauginis gaubtas

Norėdami vėl uždėti apsauginį gaubtą, uždėkite jį, šiek tiek praverdami jį abejuose šonuose. Paskui užveržkite varžtą.

⚠️ PERSPĖJIMAS: Nustatykite apsauginį gaubtą tik numatytuju kampu. Antraip galima sugadinti įrankį.

NAUDOJIMAS

⚠️ PERSPĖJIMAS: NIEKADA nejunkite įrankio, kai jis liečiasi su ruošiniu, - įrankio naudotojas gali susižeisti.

Šlifavimo darbai

- **Pav.16**

⚠️ PERSPĖJIMAS:

- NIEKADA nejunkite įrankio be šlifavimo disko. Galima rimtai pažeisti pagrindą.
- Niekada nenaudokite jėgos. Per didelis spaudimas gali sumažinti šlifavimo efektyvumą, sugadinti šlifuojamąjį diską arba sutrumpinti įrankio tarnavimo laiką.
- Naudojant įrankį su padiniu kraštu negalima jo liesti prie ruošinio, nes galima sugadinti kraštą.

Tvirtai laikykite įrankį. Įjunkite įrankį ir palaukite, kol peilis pradės sukis visu greičiu. Po to švelniai nuleiskite įrankį ant ruošinio paviršiaus. Padą laikykite lygiai, kad būtų sulig šlifuojamu daiktu; nespriek spauskite įrankį.

⚠️ PERSPĖJIMAS: Kai įrankis dirba su apkrava, šlifujamasis padas sukasi pagal laikroio rodyklę, tačiau dirbant be apkrovų, jis gali sukis ir prieš laikrodžio rodyklę.

Poliravimas (pasirenkamai)

PERSPĖJIMAS:

- Naudokite tik originalius „Makita“ kempininius, fetrinius arba vilnonius padus (pasirenkami priedai).
- Dirbkite su įrankiu tik mažu greičiu, kad šlifuojamų daiktų paviršiai per daug neįkaistų.
- Niekada nenaudokite jėgos. Per stipriai spaudžiant gali sumažėti poliravimo efektyvumas ir atsirasti variklio perkrova, ir įrankis gali sugesti.

1. Vaškavimas

► Pav.17: 1. Kempininis padas

Naudokite pasirenkamą kempininį padą. Užtepkite vaško ant kempininio pado arba poliruojamo daikto. Paleiskite įrankį mažu greičiu, kad lygiai paskirstytumėte vašką.

PASTABA:

- Pirmiausia, užtepkite nedidelį kiekį vaško ant poliruojamo daikto, kad įrankis nesubraižytų jo paviršiaus arba kad daiktas nebūtų padengtas vašku nelygiai.
- Įrankis pradeda veikti didelio greičio režimu. Būkite atsargūs, paleisdami įrankį. Gali būti taškomas vaškas. Prieš paleidžiant įrankį, vašką rekomenduojama paskirstyti išjungtu įrankiu. Paleidę įrankį, tuoj pat pakeiskite greičio režimą, nustatydami mažą greitį.
- Naudokite įrankį, pasirinkę mažiausią greitį. Jeigu įrankį naudosite pasirinkę didelį greitį, vaškas gali išsitaškyti.

2. Vaško pašalinimas

► Pav.18: 1. Fetrinis padas

Naudokite pasirenkamą fetrinį padą. Norėdami pašalinti vašką, paleiskite įrankį mažu greičiu.

3. Poliravimas

► Pav.19: 1. Vilnonis padas

Naudokite pasirenkamą vilnonį padą. Pasirinkę mažą sukimosi greitį, atsargiai judinkite įrankio vilnonį padą ruošinio paviršiumi.

PASIRENKAMI PRIEDAI

PERSPĖJIMAS:

- Su šiaime vadove aprašytu įrenginiu „Makita“ rekomenduojama naudoti tik nurodytus priedus ir papildomus įtaisus. Jeigu bus naudojami kito-kie priedai ar papildomi įtaisai, gali būti sužaloti žmonės. Priedus arba papildomus įtaisus naudokite tik pagal paskirtį.

Jeigu norite daugiau sužinoti apie tuos priedus, kreipkitės į artimiausią „Makita“ techninės priežiūros centrą.

- Prilipdomi šlifuojamieji diskai (su iš anksto iškirstomis skylėmis)
- Prilipdomas kempininis padas
- Prilipdomas fetrinis padas
- Prilipdomas vilnonis padas
- Originalus „Makita“ akumulatorius ir kroviklis
- Dulkių dėžė
- Popierinis filtro maišelis
- Dulkių surinkimo maišelis

PASTABA:

- Kai kurie sąrašė esantys priedai gali būti pateikti įrankio pakuotėje kaip standartiniai priedai. Jie įvairiose šalyse gali skirtis.

TECHNINĖ PRIEŽIŪRA

PERSPĖJIMAS:

- Visuomet įsitikinkite, kad įrankis yra išjungtas ir akumulatoriaus kasetė yra nuimta prieš atliekant apžiūrą ir priežiūrą.
- Niekada nenaudokite gazolino, benzino, tirpiklio, spirito arba panašių medžiagų. Gali atsirasti išblukimų, deformacijų arba įtrūkimų.

Kad gaminys būtų SAUGUS ir PATIKIMAS, jį taisyti, apžiūrėti, keisti anglinius šepetėlius, atlikti techninės priežiūros darbus arba reguliuoti turi įgaliotasis kompanijos „Makita“ techninės priežiūros centras; reikia naudoti tik tai kompanijos „Makita“ pagamintas atsargines dalis.

TEHNILISED ANDMED

Mudel	DBO140	DBO180
Paberisuurus	125 mm	
Pöörete arv minutis (min ⁻¹)	Aeglane kiirus	7 000
	Keskmine kiirus	9 500
	Suur kiirus	11 000
Mõõtmed	175 mm x 123 mm x 153 mm	
Netomass	1,3 - 1,6 kg	1,4 - 1,7 kg
Nimipinge	Alalisvool 14,4 V	Alalisvool 18 V

- Meie pideva uuringu- ja arendusprogrammi tõttu võidakse tehnilisi andmeid muuta ilma sellest ette teatamata.
- Tehnilised andmed võivad riigiti erineda.
- Kaal võib erineda olenevalt lisaseadistest, kaasa arvatud akukassetist. Kergeim ja raskeim kombinatsioon EPTA-protseduuri 01/2014 kohaselt on toodud tabelis.

Sobiv akukassett ja laadija

Akukassett	Alalisvool 14,4 V mudel	BL1415N / BL1430 / BL1430B / BL1440 / BL1450 / BL1460B
	Alalisvool 18 V mudel	BL1815N / BL1820 / BL1820B / BL1830 / BL1830B / BL1840 / BL1840B / BL1850 / BL1850B / BL1860B
Laadija	DC18RC / DC18RD / DC18RE / DC18SD / DC18SE / DC18SF	

- Mõned eespool loetletud akukassetid ja -laadijad ei pruugi olla teie riigis saadaval.

⚠ HOIATUS: Kasutage ainult ülalpool loetletud akukassette ja laadijaid. Muude akukassetide ja laadijate kasutamine võib tekitada vigastusi ja/või tulekahju.

Ettenähtud kasutamine

Tööriist on ette nähtud suurte puit-, plastik- ja metallmaterjalist pindade, samuti ka värvitud pindade lihvimiseks.

Müra

Tüüpiline A-korrigeeritud müratase vastavalt EN62841:

Mudel DBO140

Mürarõhutase (L_{pA}): 78 dB (A)

Määramatus (K): 3 dB (A)

Müratase töötamisel võib ületada 80 dB (A).

Mudel DBO180

Mürarõhutase (L_{pA}): 77 dB (A)

Määramatus (K): 3 dB (A)

Müratase töötamisel võib ületada 80 dB (A).

Kandke kõrvakaitsmeid

Vibratsioon

Vibratsiooni koguväärtus (kolmeteljeliste vektorite summa) määratud vastavalt EN62841:

Mudel DBO140

Töörežiim : metallplaadi lihvimine

Vibratsioonitase (a_{h1}): 2,5 m/s² või vähem

Määramatus (K): 1,5 m/s²

Mudel DBO180

Töörežiim : metallplaadi lihvimine

Vibratsioonitase (a_{h1}): 2,5 m/s² või vähem

Määramatus (K): 1,5 m/s²

MÄRKUS: Deklareeritud vibratsiooniemissiooni väärtus on mõõdetud kooskõlas standardse testimismeetodiga ning seda võib kasutada ühe seadme võrdlemiseks teisega.

MÄRKUS: Deklareeritud vibratsiooniemissiooni väärtust võib kasutada ka mürataseme esmaseks hindamiseks.

⚠ HOIATUS: Vibratsioonitase võib elektritööriista tegelikkuses kasutamise ajal erineda deklareeritud väärtusest sõltuvalt tööriista kasutamise viisidest.

⚠ HOIATUS: Rakendage kindlasti operaatori kaitsmiseks piisavaid ohutusabinõusid, mis põhinevad hinnangulisel müratasemel tegelikus töösituatsioonis (võttes arvesse tööperioodi kõik osad nagu näiteks korrad, mil seade lülitatakse välja ja mil seade töötab tühikäigul, lisaks tööajale).

EÜ vastavusdeklaratsioon

Ainult Euroopa riikide puhul

EÜ vastavusdeklaratsioon sisaldub käesoleva juhendi Lisas A.

Üldised elektritööriistade ohutushoiatused

⚠️HOIATUS: Lugege läbi kõik selle elektritööriistaga kaasas olevad ohutushoiatused, juhised, joonised ja tehnilised andmed. Järgnevate juhiste eiramine võib põhjustada elektrilöögi, süttimise ja/või raske kehavigastuse.

Hoidke edaspidisteks viideteks alles kõik hoiatused ja juhtnöörid.

Hoiatuses kasutatud termini „elektritööriist“ all peetakse silmas elektriga töötavaid (juhtmega) elektritööriistu või akuga töötavaid (juhtmata) elektritööriistu.

LIHVIMISSEADME OHUTUSNÕUDED

1. Kasutage alati kaitseprillide või ohutusprillide. Tavalised prillid või päikesepriidid EI OLE kaitseprillid.
2. Hoidke tööriista kindlalt käes.
3. Ärge jätke tööriista käima. Käivitage tööriist ainult siis, kui hoiate seda käes.
4. Tööriist ei ole veekindel, seetõttu ärge kasutage töödeldava detaili pinnal vett.
5. Lihvimise teostamisel ventileerige piisavalt oma tööpiirkonda.
6. Mõned materjalid võivad sisaldada mürgiseid aineid. Rakendage meetmeid tolmu sissehingamise ja nahaga kokkupuute vältimiseks. Järgige materjali tarnija ohutusosalast teavet.
7. Tööriista kasutamine teatud toodete, värvikihide ja puidu lihvimisel võib kasutaja jätta ohtlikke aineid sisaldava tolmu kätte. Kasutage sobivaid hingamisteede kaitsevahendeid.
8. Enne kasutamist veenduge, et lihvkettal pole pragusid ning see pole murdunud. Praod või murdumine võivad põhjustada kehavigastuse.

HOIDKE JUHEND ALLES.

⚠️HOIATUS: ÄRGE laske mugavusel või toote kasutamisharjumustel (mis on saadud korduva kasutuse jooksul) asendada vankumatut toote ohutuseeskirjade järgimist. VALE KASUTUS või käesoleva kasutusjuhendi ohutusnõuete eiramine võib põhjustada tõsiseid vigastusi.

Akukassetiga seotud olulised ohutusjuhised

1. Enne akukassetti kasutamist lugege (1) akulaadiljal, (2) akul ja (3) seadmel olevad juhtnöörid ja hoiatused läbi.
2. Ärge võtke akukassetti lahti.
3. Kui tööaeg järsult lüheneb, siis lõpetage kohe kasutamine. Edasise kasutamise tulemuseks võib olla ülekuumenemisoht, võimalikud põletused või isegi plahvatus.

4. Kui elektrolüüti satub silma, siis loputage silma puhta veega ja pöörduge koheselt arsti poole. Selline õnnetus võib põhjustada pimedaksjäämist.
5. Ärge tekitage akukassetis lühist:
 - (1) Ärge puutuge klemme elektrijuhtidega.
 - (2) Ärge hoidke akukassetti tööriistakasti koos metallesemetega, nagu naelad, mündid jne.
 - (3) Ärge tehke akukassetti märjaks ega jätke seda vihma kätte.Aku lühis võib põhjustada tugevat elektrivoolu, ülekuumenemist, põletusi ning ka seadet tõsiselt kahjustada.
6. Ärge hoidke tööriista ja akukassetti kohtades, kus temperatuur võib tõusta üle 50 °C.
7. Ärge põletage akukassetti isegi siis, kui see on saanud tõsiselt vigastada või on täiesti kulunud. Akukassett võib tules plahvatada.
8. Olge ettevaatlik, ärge laske akul maha kukkuda ja vältige lööke.
9. Ärge kasutage kahjustatud akut.
10. Sisalduvatele liitium-ioonakudele võivad kohalduda ohtlike kaupade õigusaktide nõuded. Kaubanduslikul transportimisel, näiteks kolmanda poolte poolte või transpordiettevõtete poolt, tuleb järgida pakendil ja siltidel toodud erinõudeid. Transportimiseks ettevalmistamisel on vajalik pidada nõu ohtliku materjali ekspertidega. Samuti tuleb järgida võimalike riiklike regulatsioonide üksikasjalikumaid nõudeid. Katke teibiga või varjake avatud kontaktid ja pakendage aku selliselt, et see ei saaks pakendis liikuda.
11. Järgige kasutuskõlbatuks muutunud aku käitlemisel kohalikke eeskirju.
12. Kasutage akusid ainult Makita heaks kiidetud toodetega. Akude paigaldamine selleks mitte ettenähtud toodetele võib põhjustada süttimist, ülemäära kuumust, plahvatamist või elektrolüüdi lekkimist.

HOIDKE JUHEND ALLES.

⚠️ETTEVAATUST: Kasutage ainult Makita originaalakusid. Mitte Makita originaalakude või muudetud akude kasutamine võib põhjustada akude süttimise, kehavigastuse ja kahjustuse. Samuti muudab see kehtetuks Makita tööriista ja laadija Makita garantii.

Vihjeid aku maksimaalse kasutaja tagamise kohta

1. Laadige akukassetti enne selle täielikku tühjenemist. Kui märkate, et tööriist töötab väiksema võimsusega, peatage töö ja laadige akukassetti.
2. Ärge laadige täielikult laetud akukassetti. Ülelaadimine lühendab akude kasutusiga.
3. Laadige akukassetti toatemperatuuril 10 °C - 40 °C. Enne laadimist laske kuumenenud akukassetil maha jahtuda.
4. Kui te ei kasuta akukassetti kauem kui kuus kuud, laadige see.

FUNKSIONAALNE KIRJELDUS

⚠️ ETTEVAATUST:

- Kandke alati hoolt selle eest, et tööriist oleks enne reguleerimist ja kontrollimist välja lülitatud ja akukassett eemaldatud.

Akukasseti paigaldamine või eemaldamine

► **Joon.1:** 1. Punane näidik 2. Nupp 3. Akukassett

⚠️ ETTEVAATUST:

- Lülitage tööriist alati enne akukasseti paigaldamist või eemaldamist välja.
- **Hoidke tööriista ja akukassetti kindlalt käes, kui paigaldate või eemaldate akukassetti.** Kui eirata nõuet tööriista ja akukassetti hoidmise kohta, võivad need käest libiseda ja maha kukkudes puruneda ja põhjustada kehavigastusi.

Akukasseti eemaldamiseks libistage see tööriista küljest lahti, vajutades kasseti esiküljel paiknevat nuppu alla. Akukasseti paigaldamiseks joondage akukasseti keel korpuse soonega ja libistage kassett oma kohale. Paigaldage kassett alati nii kaugele, et see lukustuks klõpsatusega oma kohale. Kui näete nupu ülaosas punast osa, pole kassett täielikult lukustunud.

⚠️ ETTEVAATUST:

- Paigaldage akukassett alati täies ulatuses nii, et punast osa ei jääks näha. Vastasel korral võib kassett tööriistast välja kukkuda ning vigastada Teid või läheduses viibivaid isikuid.
- Ärge rakendage jõudu akukasseti paigaldamisel. Kui kassett ei lähe kergesti sisse, pole see õigesti paigaldatud.

Aku kaitsesüsteem (tähe märgisega liitumioonaku)

► **Joon.2:** 1. Tähe märgis

Tähe märgisega liitumioonakud on varustatud kaitsesüsteemiga. Süsteem lülitab tööriista toitevoolu automaatselt välja, et pikendada aku eluiga.

Tööriist seiskub käitamise ajal automaatselt, kui tööriista ja/või aku kohta kehtivad järgmised tingimused.

- Ülekoormus. Tööriista kasutatakse viisil, mis põhjustab toitevoolu tugevuse tõusu lubatust kõrgemale. Sellisel juhul katkestage töö, mis põhjustas tööriista ülekoormuse. Seejärel vajutage taaskäivitamiseks uuesti käivitamise / kiiruse reguleerimise nuppu. Kui tööriist ei käivitu, on aku üle kuumenenud. Sellisel juhul laske akul maha jahtuda enne, kui vajutate käivitamise / kiiruse reguleerimise nupule.
- Madal akupinge. Aku jääkmahtuvus on liiga väike ja tööriist ei hakka tööle. Sellisel juhul eemaldage aku ja laadige seda.

Aku jääkmahtuvuse näit

Ainult näidikuga akukassettidele

► **Joon.3:** 1. Märgulambid 2. Kontrollimise nupp

Akukasseti järelejäänud mahtuvuse kontrollimiseks vajutage kontrollimise nuppu. Märgulambid süttivad mõneks sekundiks.

Märgulambid			Jääkmahtuvus
Pöleb	Ei põle	Vilgub	
■	■	■	75 - 100%
■	■	□	50 - 75%
■	□	□	25 - 50%
■	□	□	0 - 25%
◻	□	□	Laadige akut.
■	■	□	Akul võib olla tõrge.
□	□	■	

MÄRKUS: Näidatud mahtuvus võib veidi erineda tegelikust mahtuvusest olenevalt kasutustingimustest ja ümbritseva keskkonna temperatuurist.

Vajutage toimingut ja kiiruse reguleerimise nuppu

► **Joon.4:** 1. Seiskamisnupp 2. Käivitamise / kiiruse reguleerimise nupp

Tööriista käivitamiseks vajutage käivitamise / kiiruse reguleerimise nuppu. Tööriist käivitus suure kiiruse režiimis. Iga kord, kui vajutate käivitamise / kiiruse reguleerimise nuppu, vahetub kiiruse režiim järgmises järjekorras: suur kiirus, keskmine kiirus ja väike kiirus. Tööriista seiskamiseks vajutage seiskamisnuppu. Vaadake tabelist kiiruse režiimi ja tööliigi vahelist seost.

Kiiruse režiim	Pöörete arv	Kasutamine
Kiire	11 000	Standardihvimine
Keskmine	9 500	Lõplihvimine
Aeglane	7 000	Poleerimine

MÄRKUS:

- Tabelis on antud standardrakendused. Teatavate tingimuste juures võivad need olla teistsugused.

KOKKUPANEK

⚠ETTEVAATUST:

- Kandke alati hoolt selle eest, et tööriist oleks enne igasuguseid hooldustöid välja lülitatud ja akukassett eemaldatud.

Lihvketta paigaldamine

- **Joon.5:** 1. Tugiketas 2. Lihvketas

Lihvketta paigaldamisel eemaldage esmalt tugikettalt mustus ja lahtised osakesed. Seejärel kinnitage lihvketas tugiketta külge. Veenduge, et lihvkettas ja tugikettas olevad augud jäävad kokahuti.

Tolmukoti (lisatarvik) paigaldamine

- **Joon.6:** 1. Tolmukott

Paigaldage tolmuksott tööriista külge niimoodi, et selle suu on suunatud allapoole.

Tolmukoti tühjendamine

- **Joon.7:** 1. Tolmuotsak

Kui tolmuksott on umbes poolenisti täis, lülitage tööriist välja ja eemaldage tolmuksott tööriista küljest. Seejärel lukustage tolmuotsak lahti, keerates seda kergelt vastupäeva ning eemaldage see tolmuksoti küljest. Tühjendage tolmuksott, koputades seda kergelt.

- **Joon.8:** 1. Tolmuotsak

Pärast tolmuksoti tühjendamist paigaldage tolmuotsak tolmuksoti külge. Tolmuotsaku kinnitamiseks oma kohale keerake seda kergelt päripäeva. Seejärel paigaldage tolmuksott lõigus „Tolmuksoti paigaldamine“ toodud näpunäidete kohaselt tööriista külge.

Paberist filtrikoti (lisatarvik) paigaldamine

- **Joon.9:** 1. Kinnitussakk

Veenduge, et kartongiaärikul ja tolmuksarbil olevad logod on samal poolel; seejärel paigaldage paberist filtrikott, sobitades kartongiaäriku iga kinnitussaki soonde.

- **Joon.10:** 1. Tolmukarp 2. Tolmuotsak

Veenduge, et kartongiaärikul ja tolmuksakul olevad logod on samal poolel; seejärel paigaldage tolmuksarbile tolmuotsak.

Tolmuksarbi ja paberist filtrikoti eemaldamine

- **Joon.11:** 1. Riiv 2. Tolmuotsak

Eemaldage tolmuotsak, lükates kahte riivi.

- **Joon.12**

Eemaldage paberist filtrikott, pigistades sõrmedega selle kartongiaäriku logopoolset osa ning seejärel liigutades kartongiaärikut allapoole, et seda tolmuksarbi kinnitussakist välja saada.

Ääriise eemaldamine ja paigaldamine

⚠**ETTEVAATUST:** Ärge kasutage tööriista ilma ääriiseta. Vastasel juhul puistub tolm laiali.

- **Joon.13**

Te saate 12 ääriise suuna seast valida ühe vastavalt otstarbele.

- **Joon.14:** 1. Hõlm 2. Kruvi

Ääriise eemaldamiseks võtke ära kruvi ja eemaldage ääriis, avades seda veidi mõlemalt küljelt.

- **Joon.15:** 1. Hõlm

Ääriise paigaldamiseks avage see veidi mõlemalt küljelt ja pange tagasi. Ja kinnitage kruvi.

⚠**ETTEVAATUST:** Paigaldage ääriis üksnes ettenähtud nurga all. Vastasel juhul võite tööriista kahjustada.

TÖÖRIISTA KASUTAMINE

⚠**HOIATUS:** Ärge kunagi käivitage tööriista, mis on kontaktis töödeldava pinna või detailiga, see võib kaasa tuua ohtlike vigastusi.

Lihvimine

- **Joon.16**

⚠ETTEVAATUST:

- Ärge kunagi kasutage tööriista ilma lihvkettata. Võite tugiketast tõsiselt kahjustada.
- Ärge kunagi kasutage tööriista suhtes jõudu. Ülemäärane surve võib vähendada lihvimise tõhusust, vigastada lihvkettast või lühendada tööriista kasutusiga.
- Sellise tööriista kasutamine, mille tugiketta äär puutub kokku töödeldava detailiga, võib tugiketast kahjustada.

Hoidke tööriista kindlalt käes. Lülitage tööriist sisse ja oodake, kuni see saavutab täiskiruse. Seejärel asetage tööriist ettevaatlikult töödeldavale pinnale. Hoidke tugiketast otse vastu töödeldavat pinda ja avaldage tööriistale kergelt survet.

⚠**ETTEVAATUST:** Koormatud tingimustes töötamisel pöörleb lihvketas päripäeva, kuid koormamata tingimustes töötamisel võib see pöörelda ka vastupäeva.

Poleerimine (valikuline)

⚠ ETTEVAATUST:

- Kasutage ainult Makita poleerkäsna, vilt- või villapatja (lisatarvikud).
- Töötage alati madalal kiirusel, et vältida töödeldava pinna ülemääraast kuumenemist.
- Ärge kunagi kasutage tööriista suhtes jõudu. Ülemäärane surve võib vähendada poleerimise tõhusust ja põhjustada mootori ülekoormust, mis viib tööriista rikkeni.

1. Vaha pealekandmine

► Joon.17: 1. Käsnpadi

Kasutage lisavarustusse kuuluvat poleerkäsna. Kandke vaha poleerkäsna või töödeldavale pinnale. Kasutage tööriista madalal kiirusel, et vaha siluda.

MÄRKUS:

- Alguses vahatage töödeldava pinna varjatud osa veendumaks, et tööriist ei kraabi pinda ja vahatamise tulemus ei jää ebaühtlane.
- Tööriista käivitus suure kiiruse režiimis. Olge tööriista käivitamisel ettevaatlik. Vaha võib pritsida. Soovitav on, et kannaksite vaha pinnale laiali enne tööriista käivitamist. Pärast tööriista käivitamist lülitage kohe sisse väikese kiiruse režiim.
- Kasutage tööriista alati madalal kiirusel. Suuremal kiirusel kasutamine võib põhjustada vaha pritsimist.

2. Vaha eemaldamine

► Joon.18: 1. Viltpadi

Kasutage lisavarustusse kuuluvat villapatja. Kasutage tööriista madalal kiirusel, et vaha eemaldada.

3. Poleerimine

► Joon.19: 1. Villapadi

Kasutage lisavarustusse kuuluvat villapatja. Kasutage tööriista madalal kiirusel ja rakendage villapatja õrnalt töödeldaval pinnal.

HOOLDUS

⚠ ETTEVAATUST:

- Kandke alati enne kontroll- või hooldustoimingute teostamist hoolt selle eest, et tööriist oleks välja lülitatud ja akukassett korpuse küljest eemaldatud.
- Ärge kunagi kasutage bensiini, vedeldit, alkoholi ega midagi muud sarnast. Selle tulemuseks võib olla luitumine, deformatsioon või pragunemine.

Toote OHUTUSE ja TÖÖKINDLUSE säilimiseks tuleb vajalikud remonttööd, süsiharja kontrollimine ja väljavihetamine ning muud hooldus- ja reguleerimistööd lasta teha Makita volitatud teeninduskeskustes. Alati tuleb kasutada Makita varuosi.

VALIKULISED TARVIKUD

⚠ ETTEVAATUST:

- Neid tarvikuid ja lisaseadiseid on soovitatav kasutada koos Makita tööriistaga, mille kasutamist selles kasutusjuhendis kirjeldatakse. Muude tarvikute ja lisaseadiste kasutamisega kaasneb vigastada saamise oht. Kasutage tarvikuid ja lisaseadiseid ainult otstarvetel, milleks need on ette nähtud.

Saate vajadusel kohalikust Makita teeninduskeskusest lisateavet nende tarvikute kohta.

- Takjakinnitusega lihvketad (ettetehtud aukudega)
- Takjakinnitusega poleerimiskäsn
- Takjakinnitusega viltpadi
- Takjakinnitusega villapadi
- Makita algupärane aku ja laadija
- Tolmukarp
- Paberist filtrikott
- Tolmukott

MÄRKUS:

- Mõned nimekirjas loetletud tarvikud võivad kuuluda standardvarustusse ning need on lisatud tööriista pakendisse. Need võivad riikide lõikes erineda.

ТЕХНИЧЕСКИЕ ХАРАКТЕРИСТИКИ

Модель		DBO140	DBO180
Размер бумаги		125 мм	
Колебаний в минуту (мин ⁻¹)	Низкая скорость	7 000	
	Средняя скорость	9 500	
	Высокая скорость	11 000	
Размеры		175 мм x 123 мм x 153 мм	
Вес нетто		1,3 - 1,6 кг	1,4 - 1,7 кг
Номинальное напряжение		14,4 В пост. Тока	18 В пост. Тока

- Благодаря нашей постоянно действующей программе исследований и разработок указанные здесь технические характеристики могут быть изменены без предварительного уведомления.
- Технические характеристики могут различаться в зависимости от страны.
- Масса может отличаться в зависимости от дополнительного оборудования. Обратите внимание, что блок аккумулятора также считается дополнительным оборудованием. В таблице представлены комбинации с наибольшим и наименьшим весом в соответствии с процедурой ЕРТА 01/2014.

Подходящий блок аккумулятора и зарядное устройство

Блок аккумулятора	Модель 14,4 В пост. тока	BL1415N / BL1430 / BL1430B / BL1440 / BL1450 / BL1460B
	Модель 18 В пост. тока	BL1815N / BL1820 / BL1820B / BL1830 / BL1830B / BL1840 / BL1840B / BL1850 / BL1850B / BL1860B
Зарядное устройство		DC18RC / DC18RD / DC18RE / DC18SD / DC18SE / DC18SF

- В зависимости от региона проживания некоторые блоки аккумуляторов и зарядные устройства, перечисленные выше, могут быть недоступны.

⚠ОСТОРОЖНО: Используйте только перечисленные выше блоки аккумуляторов и зарядные устройства. Использование других блоков аккумуляторов и зарядных устройств может привести к травме и/или пожару.

Назначение

Инструмент предназначен для шлифовки больших поверхностей из древесины, пластмассы и металлических материалов, а также окрашенных поверхностей.

Шум

Типичный уровень взвешенного звукового давления (A), измеренный в соответствии с EN62841:

Модель DBO140

Уровень звукового давления (L_{pA}): 78 дБ (A)

Погрешность (K): 3 дБ (A)

Уровень шума при выполнении работ может превышать 80 дБ (A).

Модель DBO180

Уровень звукового давления (L_{pA}): 77 дБ (A)

Погрешность (K): 3 дБ (A)

Уровень шума при выполнении работ может превышать 80 дБ (A).

Используйте средства защиты слуха

Вибрация

Суммарное значение вибрации (сумма векторов по трем осям) определяется по следующим параметрам EN62841:

Модель DBO140

Рабочий режим: шлифовка металлических пластин

Распространение вибрации (a_h): 2,5 м/с² или менее
Погрешность (K): 1,5 м/с²

Модель DBO180

Рабочий режим: шлифовка металлических пластин

Распространение вибрации (a_h): 2,5 м/с² или менее
Погрешность (K): 1,5 м/с²

ПРИМЕЧАНИЕ: Заявленное значение распространения вибрации измерено в соответствии со стандартной методикой испытаний и может быть использовано для сравнения инструментов.

ПРИМЕЧАНИЕ: Заявленное значение распространения вибрации можно также использовать для предварительных оценок воздействия.

⚠ОСТОРОЖНО: Распространение вибрации во время фактического использования электроинструмента может отличаться от заявленного значения в зависимости от способа применения инструмента.

⚠ОСТОРОЖНО: Обязательно определите меры безопасности для защиты оператора, основанные на оценке воздействия в реальных условиях использования (с учетом всех этапов рабочего цикла, таких как выключение инструмента, работа без нагрузки и включение).

Декларация о соответствии ЕС

Только для европейских стран

Декларация о соответствии ЕС включена в руководство по эксплуатации (Приложение А).

Общие рекомендации по технике безопасности для электроинструментов

▲ОСТОРОЖНО: Ознакомьтесь со всеми представленными инструкциями по технике безопасности, указаниями, иллюстрациями и техническими характеристиками, прилагаемыми к данному электроинструменту. Несоблюдение каких-либо инструкций, указанных ниже, может привести к поражению электрическим током, пожару и/или серьезной травме.

Сохраните брошюру с инструкциями и рекомендациями для дальнейшего использования.

Термин "электроинструмент" в предупреждениях относится ко всему инструменту, работающему от сети (с проводом) или на аккумуляторах (без провода).

МЕРЫ БЕЗОПАСНОСТИ ПРИ ИСПОЛЬЗОВАНИИ ШЛИФОВАЛЬНОГО УСТРОЙСТВА

1. Всегда надевайте защитные очки или защитную маску для лица. Обычные или солнцезащитные очки НЕ ЯВЛЯЮТСЯ защитными очками.
2. Крепко держите инструмент.
3. Не оставляйте работающий инструмент без присмотра. Включайте инструмент только тогда, когда он находится в руках.
4. Данный инструмент не является водонепроницаемым, поэтому не следует использовать воду на поверхности обрабатываемой детали.
5. При выполнении шлифовки обеспечьте хорошую вентиляцию места работ.
6. Некоторые материалы могут содержать токсичные химические вещества. Примите соответствующие меры предосторожности, чтобы избежать вдыхания или контакта с кожей таких веществ. Соблюдайте требования, указанные в паспорте безопасности материала.
7. Использование данного инструмента для шлифовки некоторых материалов, краски и древесины может привести к воздействию на пользователя пыли, содержащей опасные вещества. Используйте соответствующие средства защиты дыхания.
8. Перед использованием убедитесь, в отсутствии трещин или разломов в платформе. Трещины или разломы могут привести к травме.

СОХРАНИТЕ ДАННЫЕ ИНСТРУКЦИИ.

▲ОСТОРОЖНО: НЕ ДОПУСКАЙТЕ, чтобы удобство или опыт эксплуатации данного устройства (полученный от многократного использования) доминировали над строгим соблюдением правил техники безопасности при обращении с этим устройством. НЕПРАВИЛЬНОЕ ИСПОЛЬЗОВАНИЕ инструмента или несоблюдение правил техники безопасности, указанных в данном руководстве, может привести к тяжелой травме.

Важные правила техники безопасности для работы с аккумуляторным блоком

1. Перед использованием аккумуляторного блока прочитайте все инструкции и предупреждающие надписи на (1) зарядном устройстве, (2) аккумуляторном блоке и (3) инструменте, работающем от аккумуляторного блока.
2. Не разбирайте аккумуляторный блок.
3. Если время работы аккумуляторного блока значительно сократилось, немедленно прекратите работу. В противном случае, может возникнуть перегрев блока, что приведет к ожогам и даже к взрыву.
4. В случае попадания электролита в глаза промойте их обильным количеством чистой воды и немедленно обратитесь к врачу. Это может привести к потере зрения.
5. Не замыкайте контакты аккумуляторного блока между собой:
 - (1) Не прикасайтесь к контактам какими-либо токопроводящими предметами.
 - (2) Не храните аккумуляторный блок в контейнере вместе с другими металлическими предметами, такими как гвозди, монеты и т. п.
 - (3) Не допускайте попадания на аккумуляторный блок воды или дождя.Замыкание контактов аккумуляторного блока между собой может привести к возникновению большого тока, перегреву, возможным ожогам и даже поломке блока.
6. Не храните инструмент и аккумуляторный блок в местах, где температура может достигать или превышать 50 °C (122 °F).
7. Не бросайте аккумуляторный блок в огонь, даже если он сильно поврежден или полностью вышел из строя. Аккумуляторный блок может взорваться под действием огня.
8. Не роняйте и не ударяйте аккумуляторный блок.
9. Не используйте поврежденный аккумуляторный блок.

10. **Входящие в комплект литий-ионные аккумуляторы должны эксплуатироваться в соответствии с требованиями законодательства об опасных товарах.**

При коммерческой транспортировке, например, третьей стороной или экспедитором, необходимо нанести на упаковку специальные предупреждения и маркировку.

В процессе подготовки устройства к отправке обязательно проконсультируйтесь со специалистом по опасным материалам. Также соблюдайте местные требования и нормы. Они могут быть строже.

Закройте или закрепите разомкнутые контакты и упакуйте аккумулятор так, чтобы он не перемещался по упаковке.

11. **Выполняйте требования местного законодательства относительно утилизации аккумуляторного блока.**
12. **Используйте аккумуляторы только с продукцией, указанной Makita.** Установка аккумуляторов на продукцию, не соответствующую требованиям, может привести к пожару, перегреву, взрыву или утечке электролита.

СОХРАНИТЕ ДАННЫЕ ИНСТРУКЦИИ.

ВНИМАНИЕ: Используйте только фирменные аккумуляторные батареи Makita. Использование аккумуляторных батарей, не произведенных Makita, или батарей, которые были подвергнуты модификациям, может привести к взрыву аккумулятора, пожару, травмам и повреждению имущества. Это также автоматически аннулирует гарантию Makita на инструмент и зарядное устройство Makita.

Советы по обеспечению максимального срока службы аккумулятора

1. **Заряжайте блок аккумуляторов перед его полной разрядкой. Обязательно прекратите работу с инструментом и зарядите блок аккумуляторов, если вы заметили снижение мощности инструмента.**
2. **Никогда не подзаряжайте полностью заряженный блок аккумуляторов. Перезарядка сокращает срок службы аккумулятора.**
3. **Заряжайте блок аккумуляторов при комнатной температуре в 10 - 40 °C (50 - 104 °F). Перед зарядкой горячего блока аккумуляторов дайте ему остыть.**
4. **Зарядите ионно-литиевый аккумуляторный блок, если вы не будете пользоваться инструментом длительное время (более шести месяцев).**

ОПИСАНИЕ ФУНКЦИОНИРОВАНИЯ

ВНИМАНИЕ:

- Перед регулировкой или проверкой функционирования всегда отключайте инструмент и вынимайте блок аккумуляторов.

Установка или снятие блока аккумулятора

- **Рис.1:** 1. Красный индикатор 2. Кнопка 3. Блок аккумулятора

ВНИМАНИЕ:

- Обязательно выключайте инструмент перед установкой и извлечением аккумуляторного блока.
- **При установке или снятии аккумуляторного блока надежно удерживайте инструмент и аккумуляторный блок.** Иначе инструмент или аккумуляторный блок могут выскользнуть из рук, что может привести к травмам или повреждению инструмента и аккумуляторного блока.

Для снятия аккумуляторного блока нажмите кнопку на лицевой стороне и извлеките блок.

Для установки аккумуляторного блока совместите выступ блока с пазом в корпусе и задвиньте его на место. Устанавливайте блок до упора так, чтобы он зафиксировался на месте с небольшим щелчком. Если вы можете видеть красный индикатор на верхней части клавиши, аккумуляторный блок не полностью установлен на месте.

ВНИМАНИЕ:

- Обязательно устанавливайте аккумуляторный блок до конца, чтобы красный индикатор не был виден. В противном случае аккумуляторный блок может выпасть из инструмента и нанести травму вам или другим людям.
- Не прилагайте чрезмерных усилий при установке аккумуляторного блока. Если блок не двигается свободно, значит он вставлен неправильно.

Система защиты аккумуляторной батареи (ионно-литиевый аккумуляторный блок со звездочкой)

- **Рис.2:** 1. Звездочка

В ионно-литиевых аккумуляторных блоках со звездочкой предусмотрена система защиты. Она автоматически отключает питание для продления срока службы аккумуляторного блока.

Инструмент автоматически остановится во время работы при возникновении указанных ниже ситуаций:

- Перегрузка:
Из-за способа эксплуатации инструмент потребляет очень большое количество тока.
В этом случае прекратите использование, повлекшее перегрузку инструмента. Затем снова нажмите кнопку запуска/регулировки скорости, чтобы включить инструмент.
Если инструмент не включается, значит, перегрелся аккумуляторный блок. В этом случае дайте аккумуляторному блоку остыть, прежде чем снова нажимать кнопку запуска/регулировки скорости.
- Низкое напряжение аккумуляторной батареи:
Уровень оставшегося заряда аккумулятора слишком низкий и инструмент не работает. В этом случае снимите и зарядите аккумуляторный блок.

Индикация оставшегося заряда аккумулятора

Только для блоков аккумулятора с индикатором

► Рис.3: 1. Индикаторы 2. Кнопка проверки

Нажмите кнопку проверки на аккумуляторном блоке для проверки заряда. Индикаторы загорятся на несколько секунд.

Индикаторы			Уровень заряда
Горит	Выкл.	Мигает	
■	■	■	от 75 до 100%
■	■	■	от 50 до 75%
■	■	□	от 25 до 50%
■	□	□	от 0 до 25%
▣	□	□	Зарядите аккумуляторную батарею.
■	■	□	Возможно, аккумуляторная батарея неисправна.
□	□	■	

ПРИМЕЧАНИЕ: В зависимости от условий эксплуатации и температуры окружающего воздуха индикация может незначительно отличаться от фактического значения.

Кнопка включения и регулировки скорости

► Рис.4: 1. Кнопка выключения 2. Кнопка запуска/регулировки скорости

Для включения инструмента нажмите запуска/регулировки скорости. Инструмент начинает работать в режиме высокой скорости. При каждом нажатии кнопки запуска/регулировки скорости режим частоты вращения меняется в следующем порядке: высокая скорость, средняя скорость, низкая скорость. Для остановки инструмента нажмите кнопку выключения.

Зависимость режима скорости от типа выполняемых работ см. в таблице.

Режим скорости	Количество оборотов	Применение
Высокая	11 000	Стандартная зачистка шлифовальной шкуркой
Средний	9 500	Окончательная зачистка шлифовальной шкуркой
Низкая	7 000	Полировка

ПРИМЕЧАНИЕ:

- В таблице описаны стандартные области применения. Они могут различаться при определенных условиях.

МОНТАЖ

ВНИМАНИЕ:

- Перед проведением каких-либо работ с инструментом всегда проверяйте, что инструмент отключен, а блок аккумуляторов снят.

Установка абразивного диска

► Рис.5: 1. Опорная пластина 2. Абразивный диск

Перед установкой абразивного диска сначала необходимо удалить всю грязь и посторонние вещества с накладки. Затем прикрепите абразивный диск к накладке. Обязательно выровняйте отверстия на абразивном диске с отверстиями на накладке.

Установка мешка для пыли (дополнительная принадлежность)

► Рис.6: 1. Мешок для пыли

Установите мешок для пыли на инструмент так, чтобы его впускное отверстие было направлено вниз.

Очистка мешка для пыли

► Рис.7: 1. Пылесборный патрубок

Когда мешок для пыли наполовину заполнен, выключите инструмент и снимите мешок с инструмента. Затем снимите пылесборную насадку с мешка, слегка повернув ее против часовой стрелки. Очистите мешок для пыли, слегка постучав по нему.

► Рис.8: 1. Пылесборный патрубок

После очистки мешка для пыли установите пылесборный патрубок на мешок для пыли. Немного поверните пылесборный патрубок по часовой стрелке, чтобы зафиксировать его на месте. Затем установите мешок для пыли согласно разделу "Установка мешка для пыли".

Установка бумажного фильтра (приобретается отдельно)

► **Рис.9:** 1. Фиксатор

Убедитесь, что логотип на картонном выступе и логотип на пылесборном мешке находятся с одной стороны, затем установите бумажный фильтр так, чтобы картонный выступ вошел в пазы на фиксаторах.

► **Рис.10:** 1. Пылесборный блок 2. Пылесборный патрубок

Убедитесь, что логотип на картонном выступе и на отверстии пылесборной насадки находятся с одной стороны, затем установите пылесборную насадку на пылесборный мешок.

Снятие пылесборного мешка и бумажного фильтра

► **Рис.11:** 1. Защелка 2. Пылесборный патрубок

Снимите пылесборный мешок, нажав на две защелки.

► **Рис.12**

Снимите бумажный фильтр, сначала нажав со стороны картонного выступа, затем потянув выступ книзу, чтобы отсоединить от фиксатора пылесборного мешка.

Снятие и повторная установка юбки

ВНИМАНИЕ: Не используйте инструмент без юбки. В противном случае пыль разбрасывается по сторонам.

► **Рис.13**

Можно выбрать одно из 12 направлений юбки в соответствии с выполняемой работой.

► **Рис.14:** 1. Юбка 2. Винт

Чтобы снять юбку, выверните винт и снимите юбку, слегка приоткрыв ее с обеих сторон.

► **Рис.15:** 1. Юбка

Чтобы установить юбку, прикрепите ее, слегка приоткрыв с обеих сторон. Затем зафиксируйте ее винтом.

ВНИМАНИЕ: Не устанавливайте юбку под углом, отличным от заданного. Это может привести к повреждению инструмента.

ЭКСПЛУАТАЦИЯ

ОСТОРОЖНО: Никогда не включайте инструмент, если он касается обрабатываемого изделия. Это может стать причиной травмы оператора.

Шлифование

► **Рис.16**

ВНИМАНИЕ:

- Никогда не включайте инструмент без абразивного диска. Вы можете серьезно повредить площадку.
- Никогда не прилагайте к инструменту усилий. Чрезмерное давление может снизить эффективность шлифовки, повредить абразивный диск или сократить срок службы инструмента.
- Контакт края шлифовальной пластины с обрабатываемой деталью может привести к повреждению пластины.

Крепко держите инструмент. Включите инструмент и подождите, пока он наберет полную скорость. После этого мягко коснитесь инструментом поверхности обрабатываемой детали. Держите опорную пластину заподлицо с обрабатываемой деталью и прилагайте небольшое давление к инструменту.

ВНИМАНИЕ: Шлифовальная подушка вращается по часовой стрелке при работе под нагрузкой, но при работе без нагрузки она может вращаться против часовой стрелки.

Операция полировки (дополнительная принадлежность)

ВНИМАНИЕ:

- Пользуйтесь только оригинальной губчатой, войлочной или шерстяной опорной пластиной Makita (дополнительные принадлежности).
- Всегда работайте с инструментом на низкой скорости для предотвращения ненормального нагрева обрабатываемых поверхностей.
- Никогда не прилагайте к инструменту усилий. Чрезмерное давление может снизить эффективность полировки и привести к перегреву двигателя, в результате чего инструмент может испортиться.

1. Нанесение воска

► **Рис.17:** 1. Губчатая подушка

Используйте дополнительную губчатую опорную пластину. Нанесите воск на губчатую пластину или обрабатываемую поверхность. Включите инструмент на низкой скорости для разглаживания воска.

ПРИМЕЧАНИЕ:

- Сначала обработайте незаметную часть обрабатываемой поверхности, чтобы убедиться, что инструмент не поцарапает поверхность или не приведет к неравномерному нанесению воска.
- Инструмент начинает работать в режиме высокой скорости. Будьте осторожны при запуске инструмента. Воск может разбрызгиваться. Перед началом эксплуатации рекомендуется наносить воск на выключенный инструмент. После запуска инструмента сразу же переведите режим скорости на более медленный.
- Всегда работайте с инструментом на небольшой скорости. Работа на высокой скорости может привести к разбрызгиванию воска.

2. Удаление воска

► Рис.18: 1. Войлочная подушка

Используйте дополнительную войлочную опорную пластину. Включите инструмент на низкой скорости для удаления воска.

3. Полировка

► Рис.19: 1. Шерстяная подушка

Используйте дополнительную шерстяную опорную пластину. Включите инструмент на низкой скорости, и осторожно прикладывайте шерстяную опорную пластину к обрабатываемой поверхности.

ТЕХОБСЛУЖИВАНИЕ

ВНИМАНИЕ:

- Перед проведением проверки или работ по техобслуживанию, всегда проверяйте, что инструмент выключен, а блок аккумуляторов вынут.
- Запрещается использовать бензин, лигроин, растворитель, спирт и т.п. Это может привести к изменению цвета, деформации и появлению трещин.

Для обеспечения БЕЗОПАСНОСТИ и НАДЕЖНОСТИ изделия ремонт, проверка и замена угольных щеток и любые другие работы по техобслуживанию или регулировке должны осуществляться в уполномоченных сервис-центрах Makita с использованием запасных частей только производства компании Makita.

ДОПОЛНИТЕЛЬНЫЕ ПРИНАДЛЕЖНОСТИ

ВНИМАНИЕ:

- Эти принадлежности или насадки рекомендуется использовать вместе с вашим инструментом Makita, описанным в данном руководстве. Использование каких-либо других принадлежностей или насадок может представлять опасность получения травм. Используйте принадлежность или насадку только по указанному назначению.

Если вам необходимо содействие в получении дополнительной информации по этим принадлежностям, свяжитесь со своим местным сервис-центром Makita.

- Абразивные диски с креплением типа «липучка» (с предварительной перфорацией)
- Губчатая опорная пластина с креплением типа «липучка»
- Войлочная опорная пластина с креплением типа «липучка»
- Шерстяная опорная пластина с креплением типа «липучка»
- Оригинальный аккумулятор и зарядное устройство Makita
- Пылесос
- Бумажный фильтр
- Пылесборный мешок

ПРИМЕЧАНИЕ:

- Некоторые элементы списка могут входить в комплект инструмента в качестве стандартных приспособлений. Они могут отличаться в зависимости от страны.

Makita Europe N.V. Jan-Baptist Vinkstraat 2,
3070 Kortenberg, Belgium

Makita Corporation 3-11-8, Sumiyoshi-cho,
Anjo, Aichi 446-8502 Japan

www.makita.com

885259A983
EN, SV, NO, FI, LV,
LT, ET, RU
20171010