

## TROUBLESHOOTING

### Symptom 10. Air compressor not making enough air.

**PROBABLE CAUSE**

Restricted air intake filter.

Defective (reed) valve.

**REMEDY**

Clean.

Drain air tank and measure pump up time. Compare to specifications. If lower, remove pump head and inspect valve plate, clean or replace.

### Symptom 11. Moisture in discharge air.

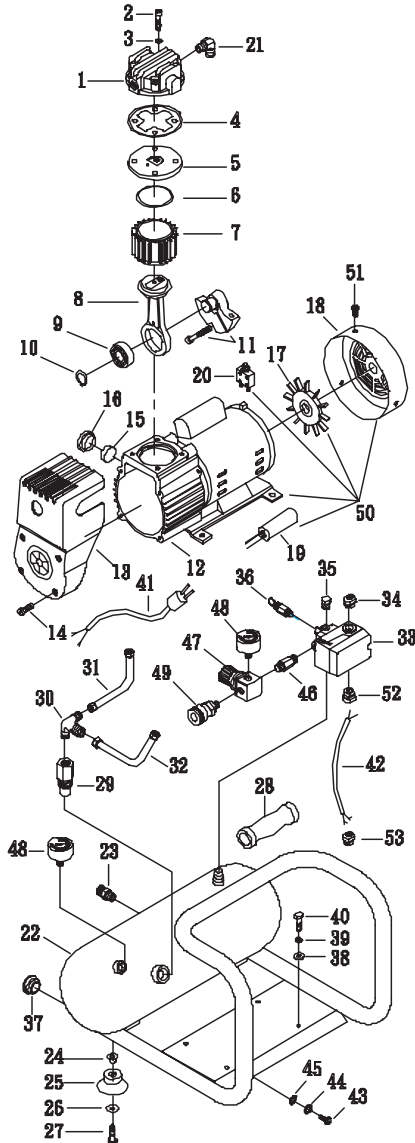
**PROBABLE CAUSE**

Condensation in air tank caused by high level of atmospheric humidity or air compressor is not run long enough.

**REMEDY**

Drain air tank after every use. Drain air tank more often in humid weather and use an air line filter.

MODEL : PC1010B



### SPARE PARTS LIST

NO : QJ-0306

REF. NO.	DESCRIPTION	PART NO.	QTY.
1	Cylinder head	3101063A	1
2	Screw	2B01-M05*060	4
3	Washer	2B33-M05	4
4	Cylinder head gasket	2G01-025	1
5	Exhaust valve assembly	3B11-DC02	1
6	Valve seat gasket	2G03-018	1
7	Cylinder	3201068	1
8	Rod assembly	3B3-DC02	1
9	Bearing	2N85-6201ZZC9	1
10	Clip	2M42-S12	1
11	Crankshaft & balancer	3304086	1
12	Crankcase	3301106B	1
13	Shroud	2428015	1
14	Screw	2B02-FM4*015B	4
15	Filter sieve	2142016	1
18	Air filter cover	2141017	1
17	Fan	2336027	1
18	Fan cover	2337013	1
19	Running capacitor	2E27-005F450V	1
20	Circuit breaker	2E25-05A	1
21	Elbow	2M06-01T02H	1
22	Receiver	3401475	1
23	Drain valve	2405011	1
24	Grommet	2M46-001	4
25	Rubber pod	2439005	4
26	Washer	2B30-05*14*10	4
27	Screw	2B02-FM5*015	4
28	Handle	2432107	1
29	Check valve	2414033A	1
30	Tee	2M09-02M01T02B1	1
31	Unloading tube	3B2-02*120T	1
32	Discharge tube	3B2-02*090	1
33	Pressure switch	2E21-045TB	1
34	Strain relief bushing	2E04-010	1
35	Plug	2N33-009	1
36	Safety valve	2406021	1
37	Plug	2N32-W07	2
38	Washer	2B30-06*18*10	4
39	Washer	2B33-M08	4
40	Screw	2B00-FM06*012	4
41	Power cord	2E01-028S	1
42	Cable	2E02-0720302Y2T	1
43	Screw	2B02-CM5*010	1
44	Washer	2B32-006	1
45	Washer	2B35-FM05	1
46	Nipple	2N01-02N02N045	1
47	Regulator	2408008RN	1
48	Pressure gauge	2D12-15D15LS	2
49	Quick coupler	070S1/4M-C	1
50	Motor set(12, 17, 18, 19, 20)	3B8-MB0206S	1
51	Screw	2B02-FW15*03	8
52	Strain relief bushing	2E04-008	1
53	Strain relief bushing	2E04-011	1